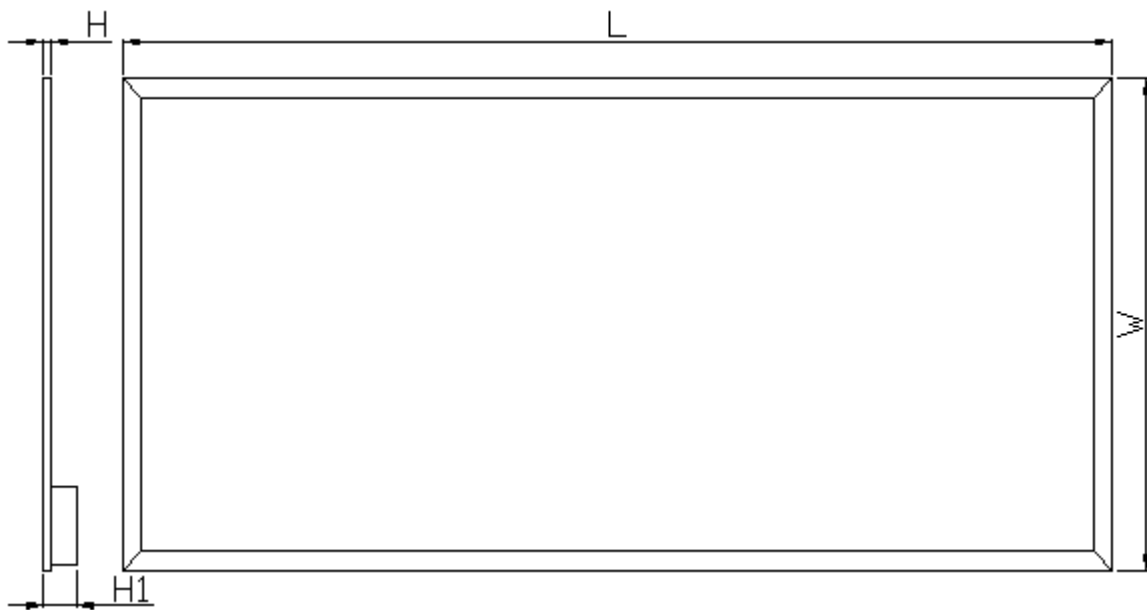
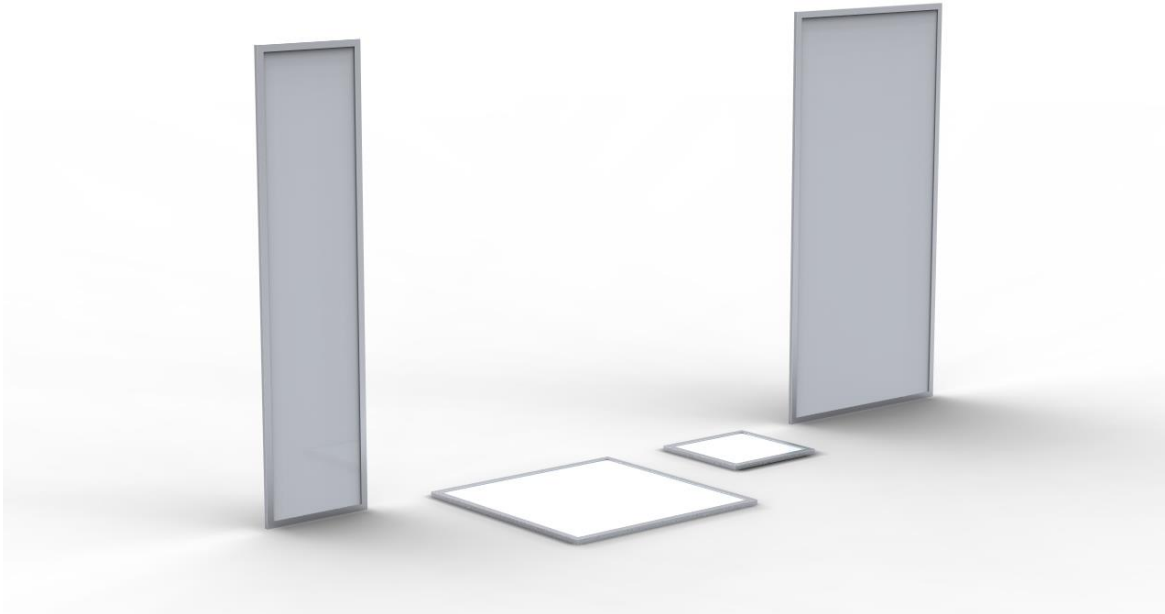


1. Pictures and size



L=1213 W=603 H=11 H1=43

2.Features of the product

- 1) Energy-saving: Big power LED source is adopted, saving energy 80% than the incandescent light.
- 2) Environmental protection: No hazardous substances such as mercury and lead etc. No environmental pollution, infrared ray and ultraviolet ray, and avoid the injury to human body. It is the green lighting.
- 3) Long-lifespan: more than 50,000 hours.
- 4)The lamp's panel and heat-sink device is fixed as a whole, so that the product is more solid and reliable and ensure the long lifespan.
- 5) Input voltage is AC100-277V, making more convenient of the installation and usage.
- 6) Using the DC constant current to drive, no flicker.
- 7) Reflector:milk color PMMA.
- 8)Beam angle: 160 Degree
- 9) Direct light with good lighting directivity,and higher luminous efficiency than traditional lighting.
- 10) The main body employs aluminum material (AL6063) which has the good thermal conductivity to squeeze to be a special cooling fin. The LED contact surface adopts red copper with electric coat to conduct heat.
- 11) Control type: 1-10V dimming device has two independent circuit, a common voltage circuit for switching on or off to the illumination device power, another is low voltage circuit, it provides reference voltage, told lighting dimming equipment level. 1-10V is adjusted optical power supply in use dimming the life of the light source cannot be produced any effect. And stable light source, no stroboscopic, dimming can achieve energy-saving maximization.

3. Application

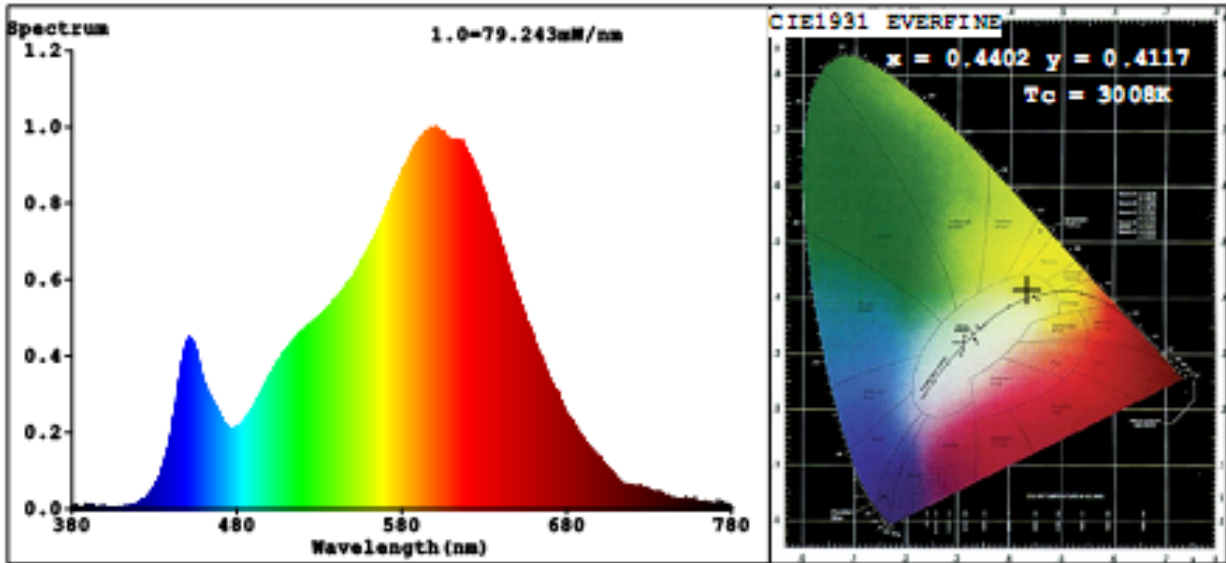
This product could be used in supermarket, parking, workshop, toll-gate, gasoline station, exhibition hall, municipal engineering and other lighting area.

4. Technical parameters

Consumed power	50W
Input voltage	AC 100-277V, 50/60Hz
PF	≥ 0.95
Luminescence efficiency	100-110 LM/W
Lumen	5000-5300lm
CRI	Ra ≥ 80
CCT	3000K-5000K
LED type	SMD4014
LED QTY	288 PCS
lm/W/LED	26-28LM/W
Beam angle	160°
Uniformity ratio of illuminance	>0.8
IP grading	IP20
Temperature of the working environment	-40°C~50°C
Temperature of the storage environment	-40°C~50°C (30°C Best)
Certificates	CE、RoHS、UL
Lifespan	50000hours

5.Test Report

Spectrum Test Report



Color Parameters:

Chromaticity Coordinate: $x=0.4402$ $y=0.4117$ / $u'=0.2494$ $v'=0.5248$
 $T_c=3008K$ Dominant WL: $L_d = 581.9nm$ Purity=55.7%
 Red Ratio: $R=24.4\%$ Peak WL: $L_p=600.8nm$ HWL: $L_{hd}=126.3nm$
 Render Index: $R_a=82.3$
 R1 =80 R2 =91 R3 =96 R4 =80 R5 =81 R6 =90 R7 =83
 R8 =58 R9 =4 R10=80 R11=80 R12=72 R13=83 R14=98 R15=72

Photo Parameters:

Flux = 5157.1 lm Eff. : 102.10 lm/W $P_e = 15.627 W$

Electrical parameters:

$V = 220.3 V$ $I = 0.2344 A$ $P = 50.51 W$ PF = 0.9782

LEVEL:OUT WHITE:OUT

Status: Integral T = 229 ms $I_p = 52863 (81\%)$

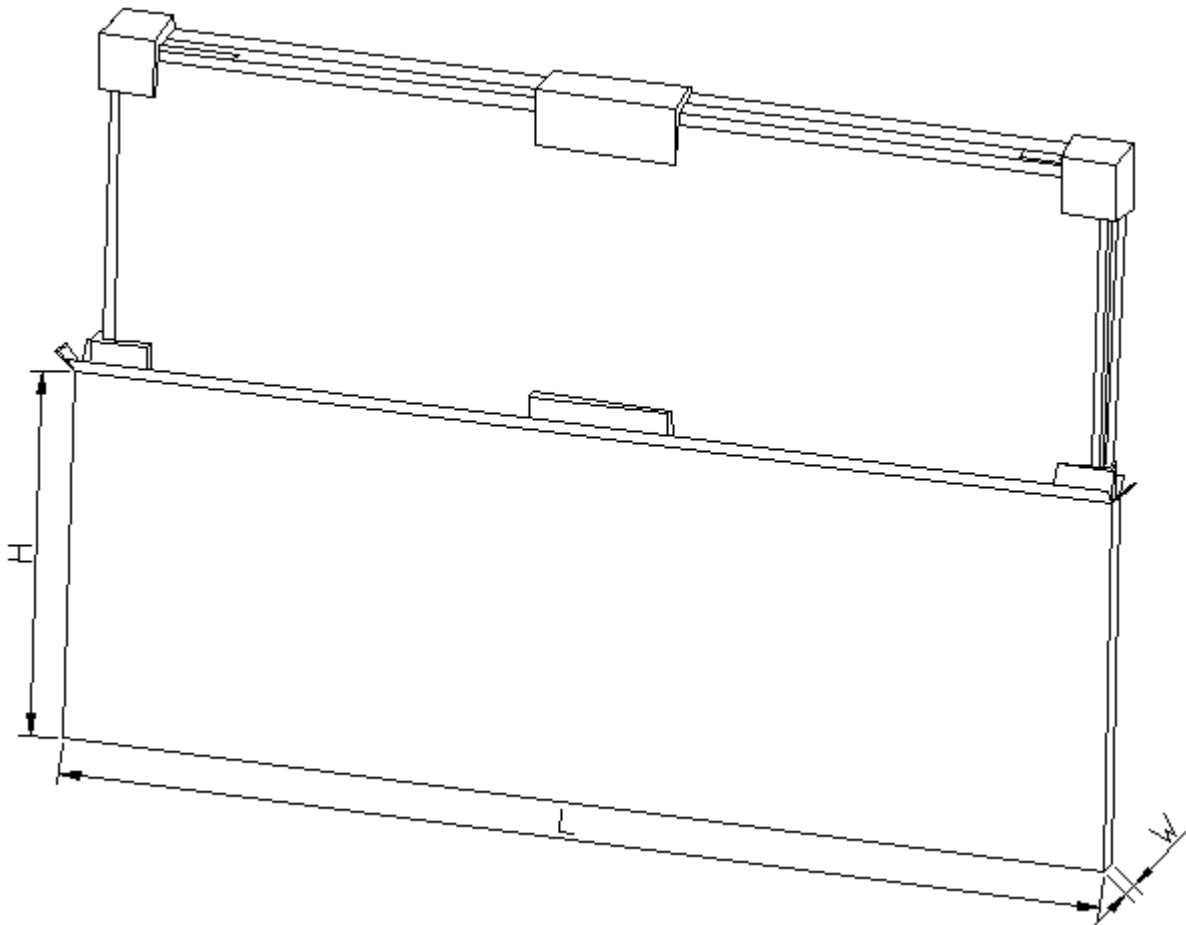
Model:
 Tester:DAMIN
 Temperature:25.3Deg
 Manufactory:EVERFINE

Number:0004
 Date:2016-05-09
 Humidity:65.0%
 Remarks:---

6.Package

Item	Outer Carton
Qty	1/2
Size	L1280x W120 x H675MM
NW	13.2kg/29.1 lbs
GW	19kg/41.89 lbs

- 1). all dimension units are millimeter
- 2). 2pcs product in one carton

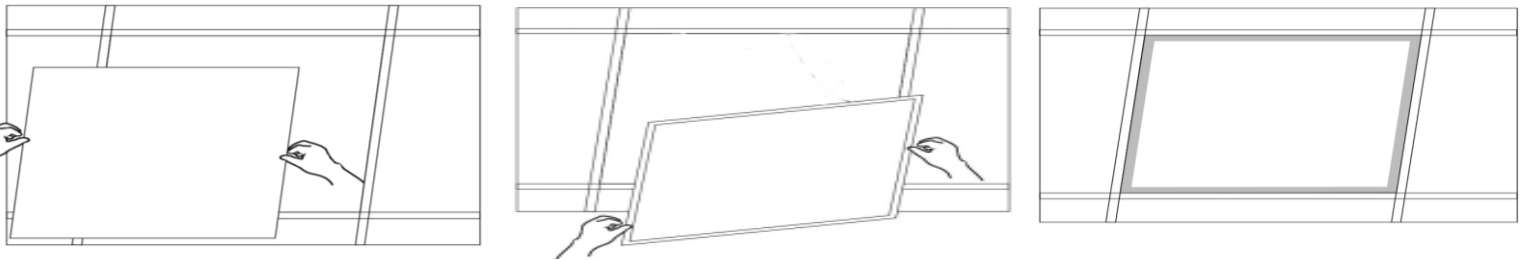


7. Announcements

- 1). All the test data is gained under the condition of specified input voltage and rated output, and that the temperature of working environment is 25°C, the humidity is less than 85%.
- 2). The product couldn't be waterproof, so please use it indoor.
- 3). Inspect if the voltage and current is qualified. Pls do not dismantle the product without authorization.
- 4). 5 years warranty

8. Installation Instructions

A) schematic diagram for embedded installation



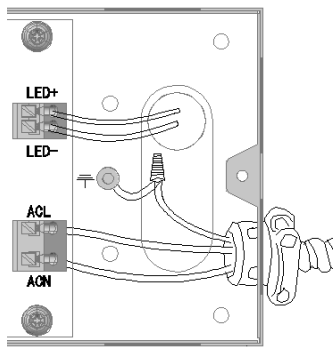
(1)

(2)

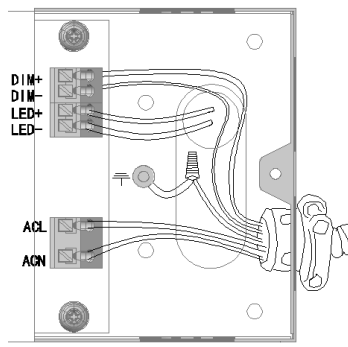
(3)

- 1). move away ceiling plaster slab, ceiling's diagonal and then wiring
- 2). put through the panel light along then arrange the wire
- 3). fix the panel light to suitable place

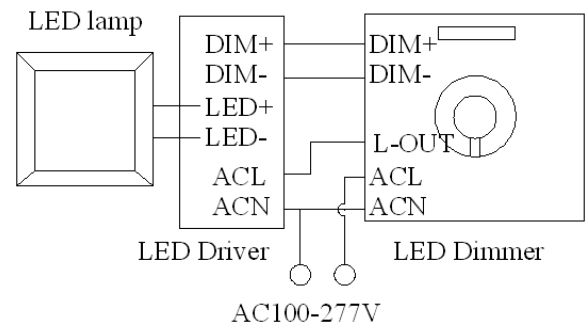
B) install instruction



(1) (Non dimming)



(2) (Dimming)



(3) Schematic diagram

(1) Install method of non dimming method:

- A). turn off the power switch
- B) Remove the knockout and attach the conduit fitting.
- C) Wire connection:
 - Push hot wire to ACL hole of input terminal.
 - Push neutral wire to ACN hole of input terminal.
 - Connect G-G wire. **Reference figure (1)**
 (Input wire shall be 18AWG min..)
- D) Close the front cover

(2) Install method of dimming method:

- A) Refer to Install method of non dimming method.
- B) Connect dimming wire:
 - Push dimming wire to dimming hole of output terminal.
 - Connect DIM+ to DIM+, DIM- to DIM-. (Dimming wire shall be 24AWG, 300V, 80° C min..)

Reference figure (2) or (3)

Warning

- *Please disconnect the power supply before installing and maintaining the lighting.
- *installation and maintenance of lamps and lanterns must be operated by professional and technical personnel, non professional personnel do not remove the lamps.
- * lighting must be installed in a suitable environment, working in harsh environments may shorten the life and even damage the lamps.

ACES LED reserved the right of changing this datasheet 2016 V1