

LED DOOR PACK LIGHT



Features

- Quick and easy installation way for easy maintenance;
- Injection molded polycarbonate lens, die cast aluminum housing;
- Dark bronze polyester powder coated finish for impact, corrosion and UV resistance;
- Listings: UL and cUL Listed for wet locations. **DLC 4.0 qualified**

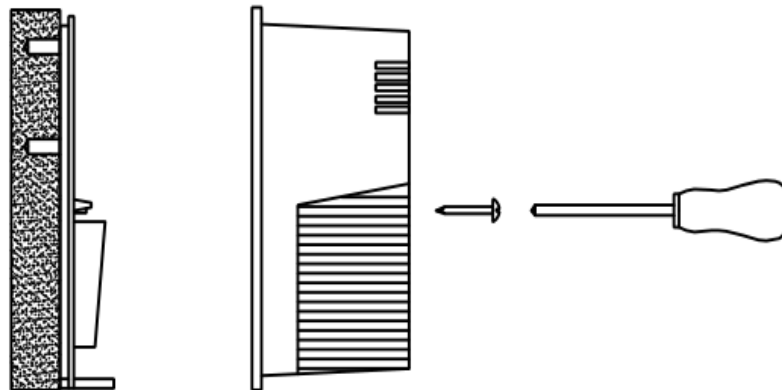
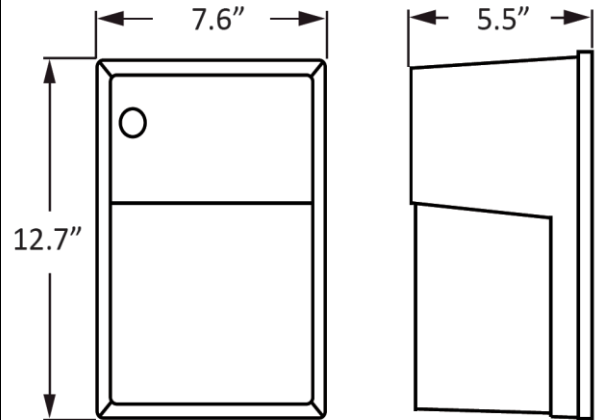
Applications

- Building facades, parking garages and stairways
- Commercial buildings
- Security, pathway and perimeter lighting
- Storage areas



Product Specifications

Model No.	ACESDP15W50K27P	ACESDP25W50K27P
Nominal Power(W)	15W	25W
Flux(lm):	>1600lm	>2600lm
Efficcacy(lm/W)	>109lm/w	>110lm/w
Power Factor (PF)	>0.95	>0.95
CRI	79	
Color temperature	5000K	
Power Factor (PF)	>0.95	>0.95
Input Voltage	AC100-277V (50/60 Hz)	
THD	< 20% at full load	
Dimension	12.7"x 7.6"x 5.5"	12.7"x 7.6"x 5.5"
N.W.	1.2kg	1.4kg
G.W.	1.4kg	1.6kg
Warranty	5 years	5 years



Main components

Chips	Philips 3030
CCT	5000K
Driver brand	Weled
Driver certification	UL certified

Others

Working Temperature	-40°C to +40°C
Storage Temperature	-40°C to +80°C
Certification	UL/cUL for wet locations, No.: E484465
	DLC 4.0

Details

Housing:

- Die cast aluminum with powder coat paint

Optical Lens:

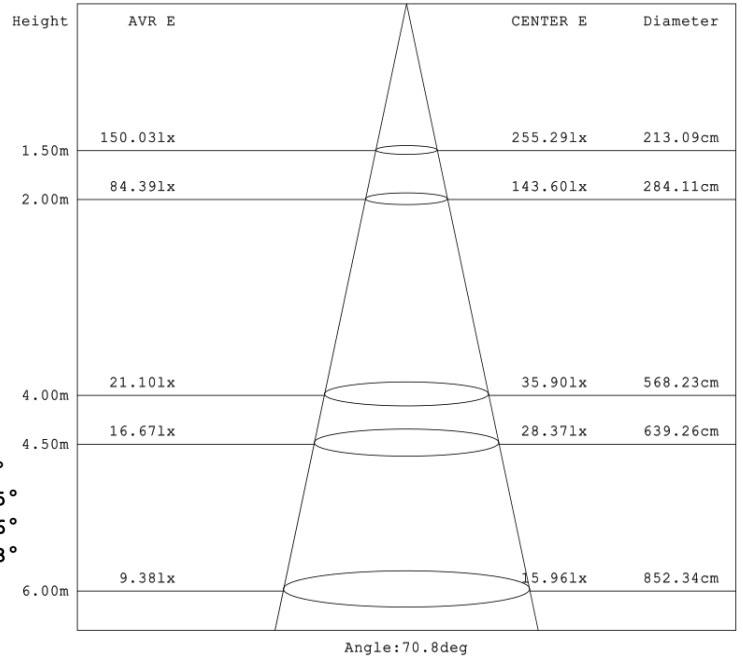
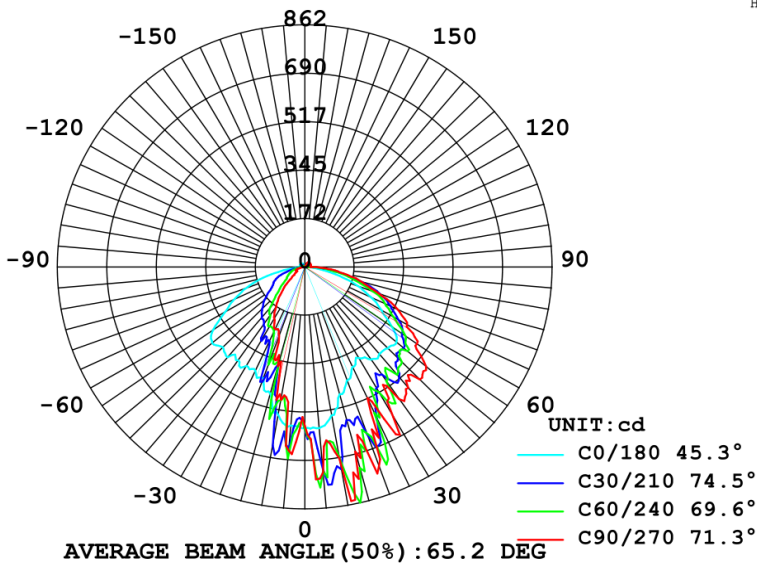
- Polycarbonate lens
- No discoloration, deformation, cracking or other anomalies

Mounting:

- Wall mount

Photometry Diagram

15W



25W

