

Product Features



- High efficiency LED Driver, the wide range input voltage AC100-277V or AC200-480V;
- Lumileds LED high luminous efficiency and long life.
- Cast aluminum design, better cooling and easy replacement, light quality, LED Tj < 85°C.
- Excellent optical design, greatly improve the light utilization and evenness.
- Photocell Control Available (Option)



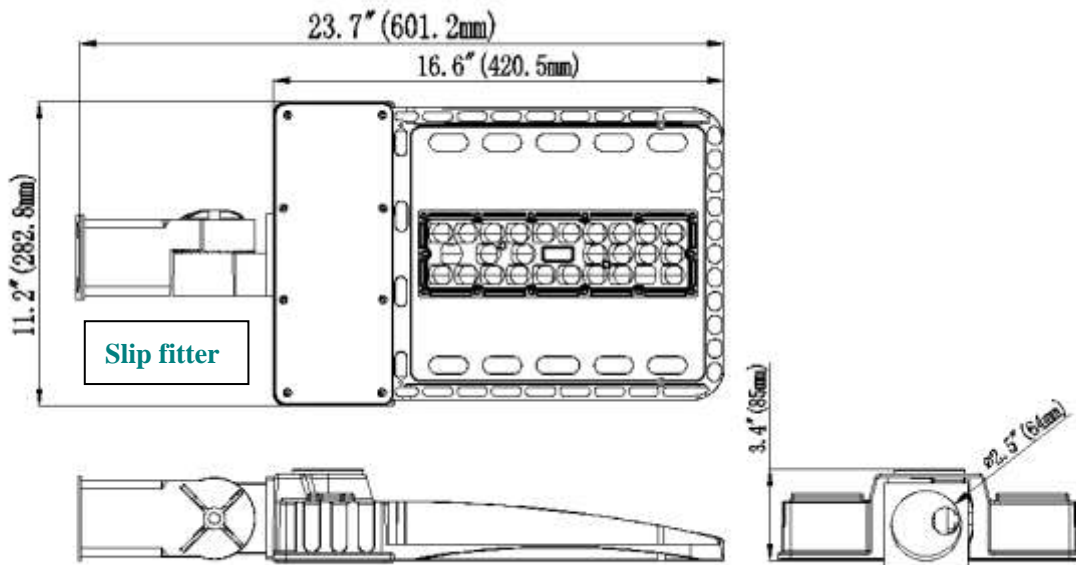
Product Applications

ACES LED Shoebox Lighting series can be widely used in Urban roads, Industrial areas, Residential areas, Sidewalks, Parking lot, Schools, Gardens and etc.

Structure Features

- Shell materials: Aluminum & PC.
- Finish: Dark Bronze/White
- Net weight: 4.50kgs (9.92 lbs)

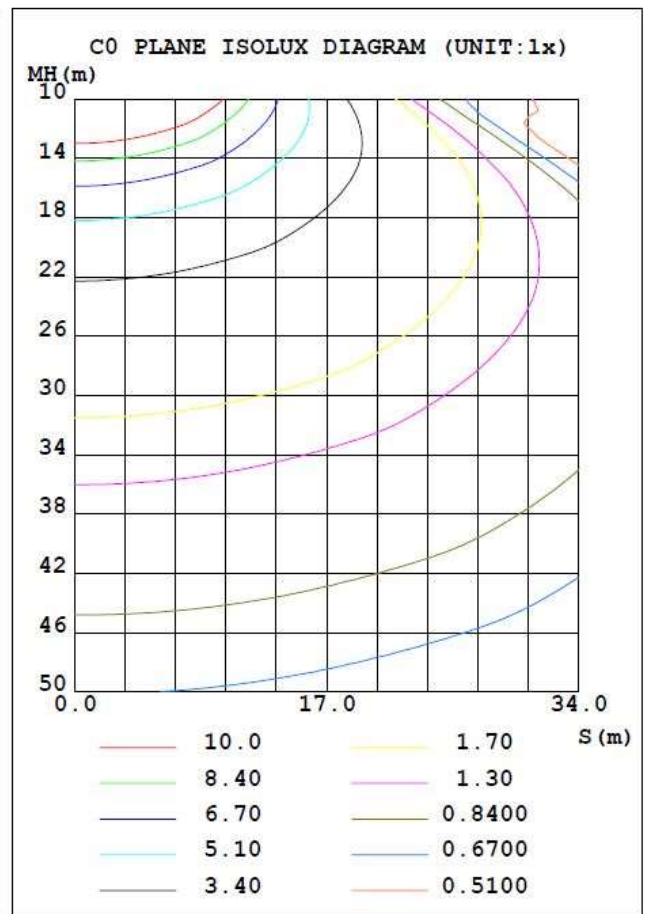
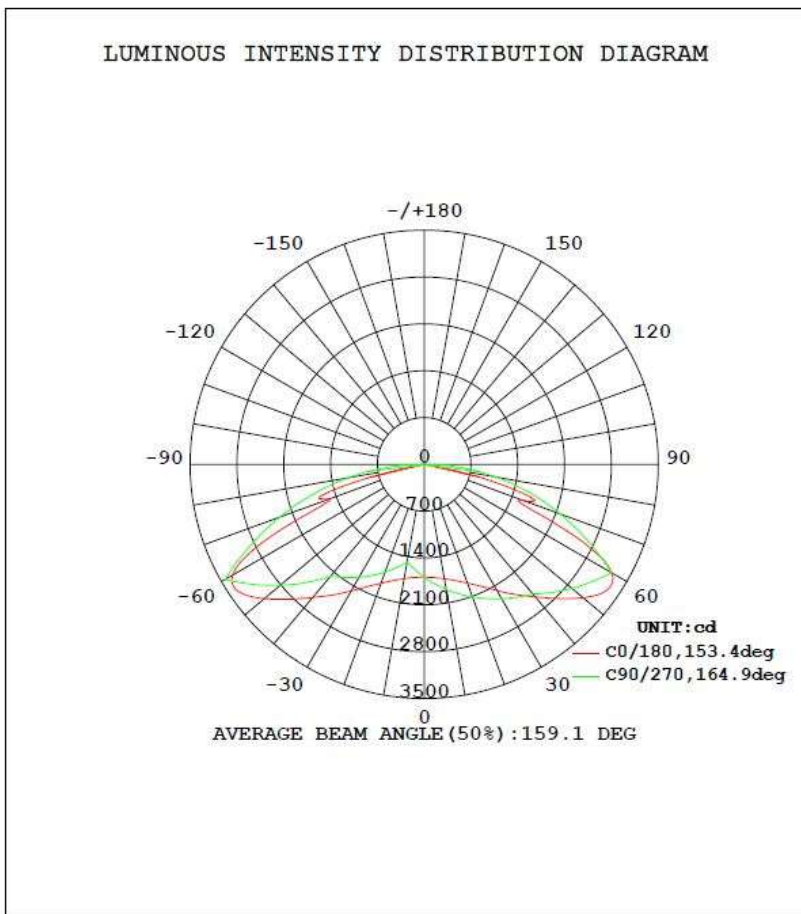
Unit: inch(mm)



■ Technical Parameters

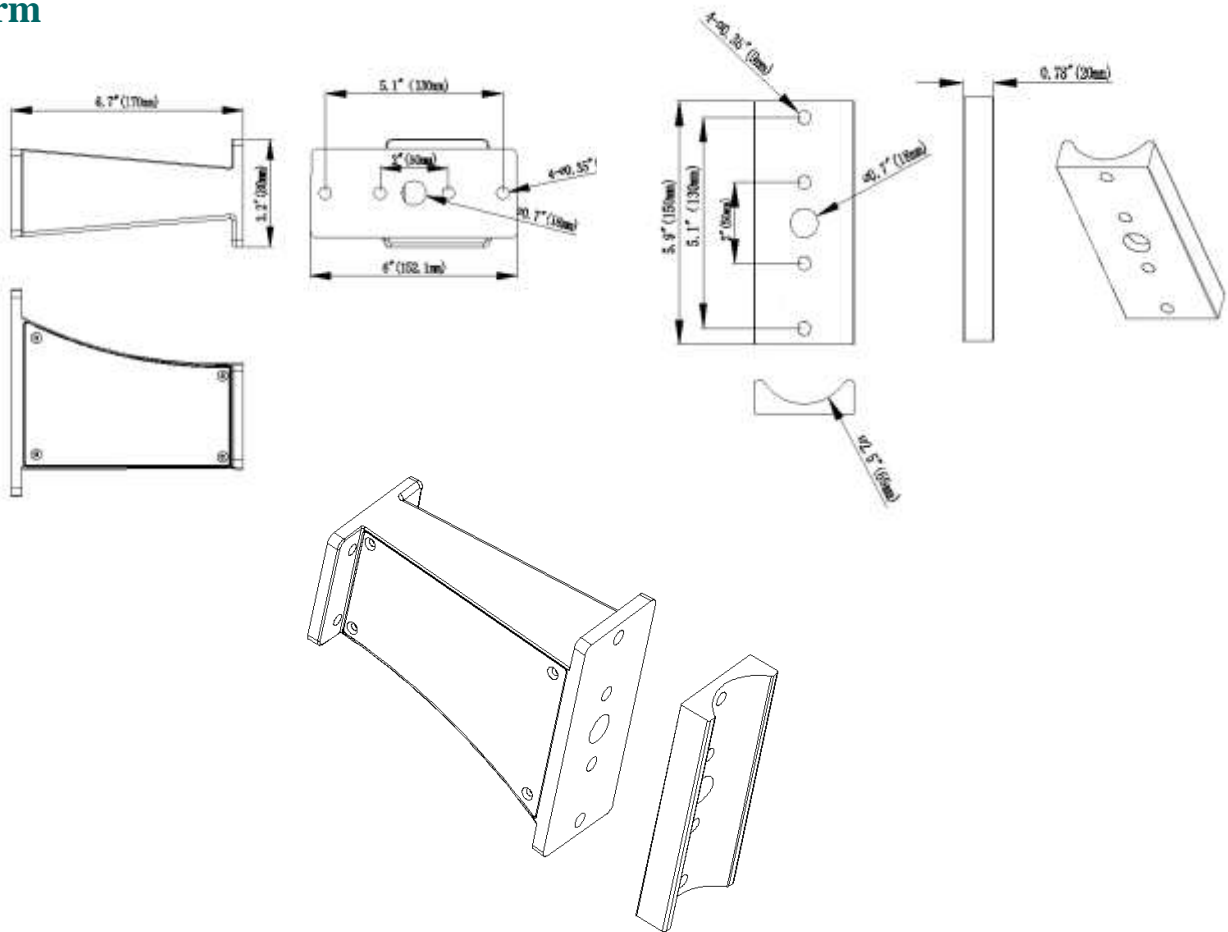
Type	SB10W27-XXK-X-TX-X-X		
Power	100W	Lighting Angle	Type II, Type III, Type Vs
Input Voltage	AC100-277V	LED Brightness Decay	<5%/6000 hrs
PF	>0.95	Working Life	>50000 hrs
Driver Efficiency	>90%	Working Temperature	-30 - +45°C
Luminous Flux	13000Lm	Storage Temperature	-40 -+80°C
Color Temperature	3000K/4000K/5000K/5700K	Protection Level	Wet Location/IP65
CRI	Ra>80	Cable	3 core, 18AWG

■ Photometry and Type Vs:

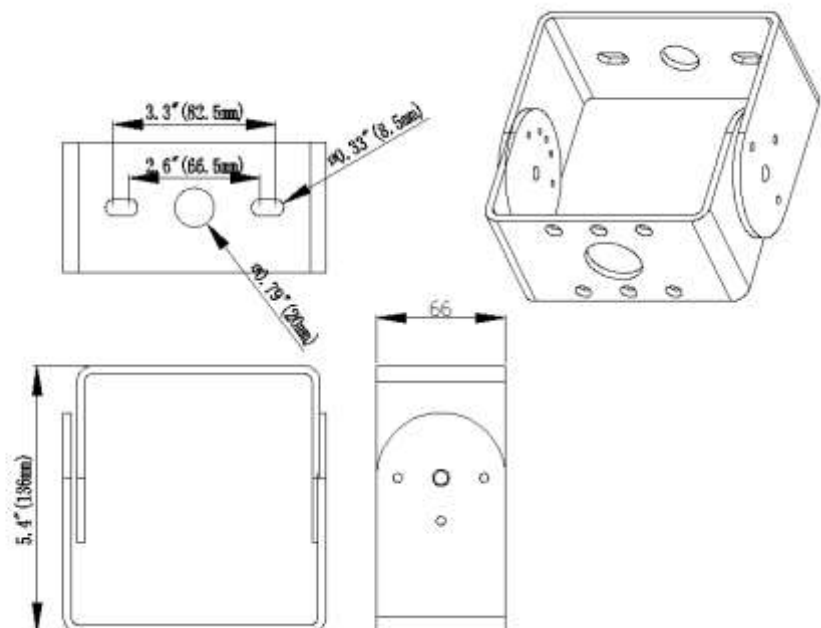


■ Accessory Option:

Arm



Trunnion



100W LED Shoebox Light



- **ORDERING INFORMATION:**

EXAMPLE: SB 10W 27-50K-D-T3-S-P

SB	10W	27	50K	D	T3	S	P
Product	Power	Voltage	Color Temp	Finish	IES	Mount	Control
SB SHOEBOX LIGHT	06W (60W) 10W (100W) 15W (150W) 20W (200W) 30W (300W)	27 AC100-277V 48 AC200-480V	30K (3000K) 40K (4000K) 50K (5000K) 57K (5700K) ± 500K	D Dark Bronze W White	T2 Type II T3 Type III T5 Type V	S Slip fitter T Trunnion A Arm	P 100-277V Photocell

ACES LED reserved the right of changing this datasheet RV1.0