

## ■ Product Pictures



- CREE XTE LED, high efficiency and long life.
- MEAN WELL High efficiency LED Driver.
- Voltage AC100-277V.
- Lightweight cast aluminum for better cooling.
- LED T < 185°F.
- Intelligent lampshade design greatly improves light distribution.
- Expect Life-span:50,000 hours\*
- **Optional Photocell Control Available**

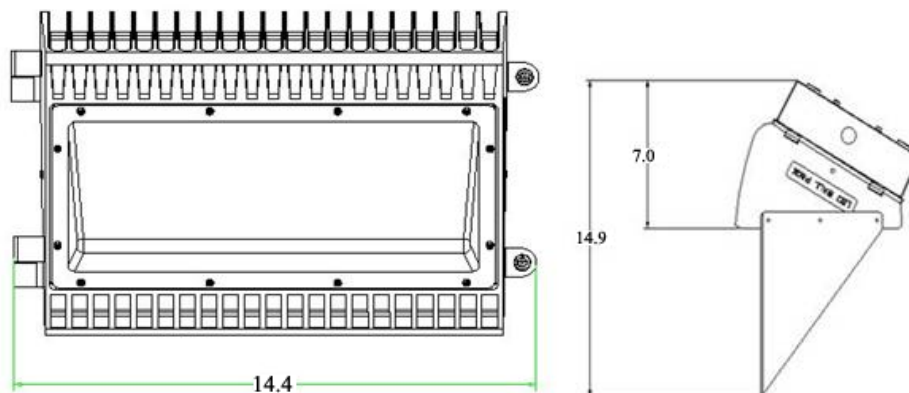


## ■ Product Applications

ACES LED WALL PACK lighting series is designed for indoor and outdoor applications such as manufacturing facilities, warehouses, gas stations, toll booths, train stations, indoor stadiums and greenhouses.

## ■ Structure Features

- **Shell materials:** Aluminum & PC.
- **Color:** Black shell and white lampshade.
- **Net weight:** 18.96 lbs.                      Unit: in



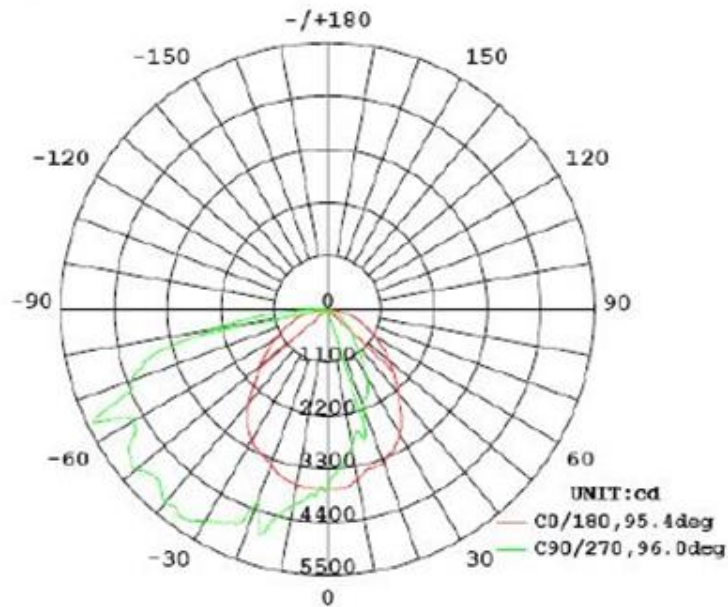
\*Based on operation cycle of a minimum of 8 to a maximum of 16 hours per start up to no more than a total rated lifetime of 50,000 hours.

## ■ Technical Parameters

Type	WP15W27-45K-C		
Power	150W	Lighting Angle	110*130°
Input Voltage	AC100-277V	LED Brightness Decay	<5%/6,000 hrs.
PF	>0.99	Working Life	>50,000 hrs.
Driver Efficiency	>90%	Working Temperature	-22 - +104°F
Luminous Flux	11,371 Lm	Storage Temperature	-40 --+176 °F
Color Temperature	4,500K	Protection Level	Wet Location/IP65
CRI	>70	Cable	3 core, 18AWG(4'11")

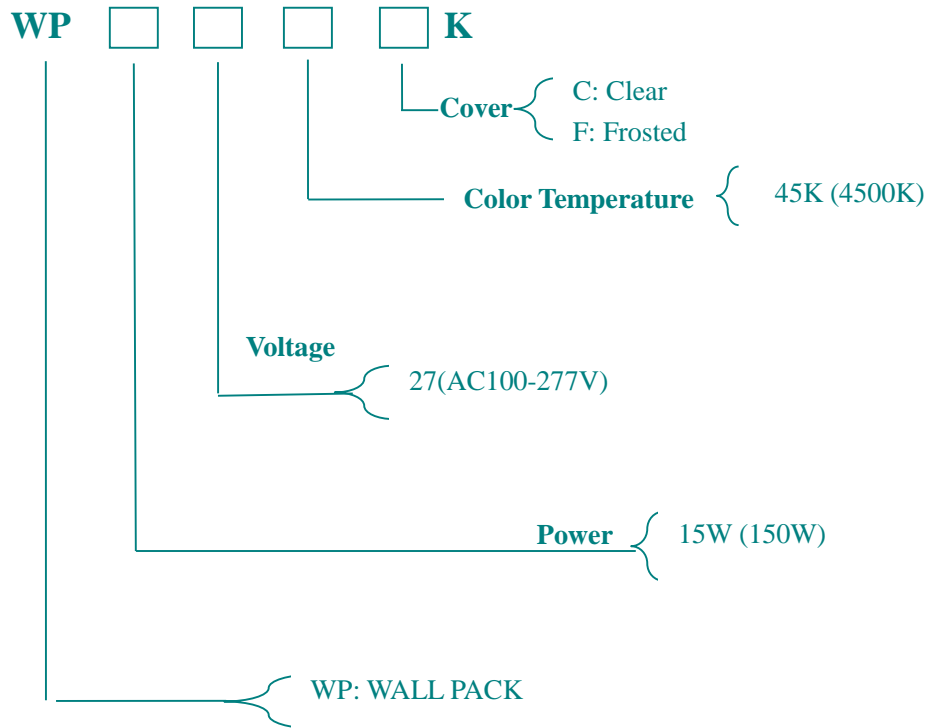
## ■ Light Distribution Curve (Clear Lens)

Luminous Intensity Distribution



	C0/180	C45/225	C90/270	C135/315	AVG.
Beam Angle (50% I <sub>max</sub> ):	95.4	93.9	96.0	95.7	95.25
Field Angle (10% I <sub>max</sub> ):	155.9	144.7	137.7	144.0	145.58

## ■ Product Identification



ACES LED reserved the right of changing this datasheet 2015 V1.1