

100W LED Wall Pack Lighting

■ Product Pictures



- Philips Lumileds LED chips, high efficiency and long life.
- MEAN WELL High efficiency LED Driver.
- Voltage AC100-277V
- Lite weight cast aluminum for better cooling
- LED T < 185°F.
- Intelligent lampshade design greatly improves light distribution.
- Expect Life-span:50,000 hours*
- **Optional Photocell Control Available**

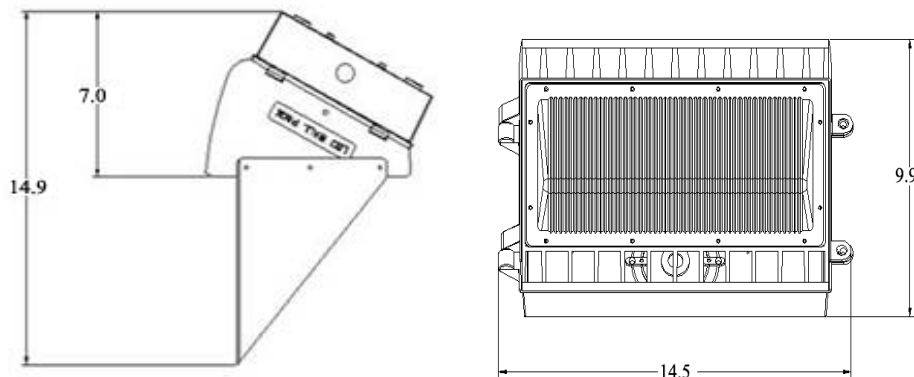
PHILIPS
LUMILEDS

■ Product Applications

ACES LED WALL PACK lighting series is designed for indoor and outdoor applications such as manufacturing facilities, warehouses, gas stations, toll booths, train stations, indoor stadiums and greenhouses.

■ Structure Features

- **Shell materials: Aluminum & PC.**
- **Color: Black shell and white lampshade**
- **Net weight: 15.65 lbs.** Unit: in



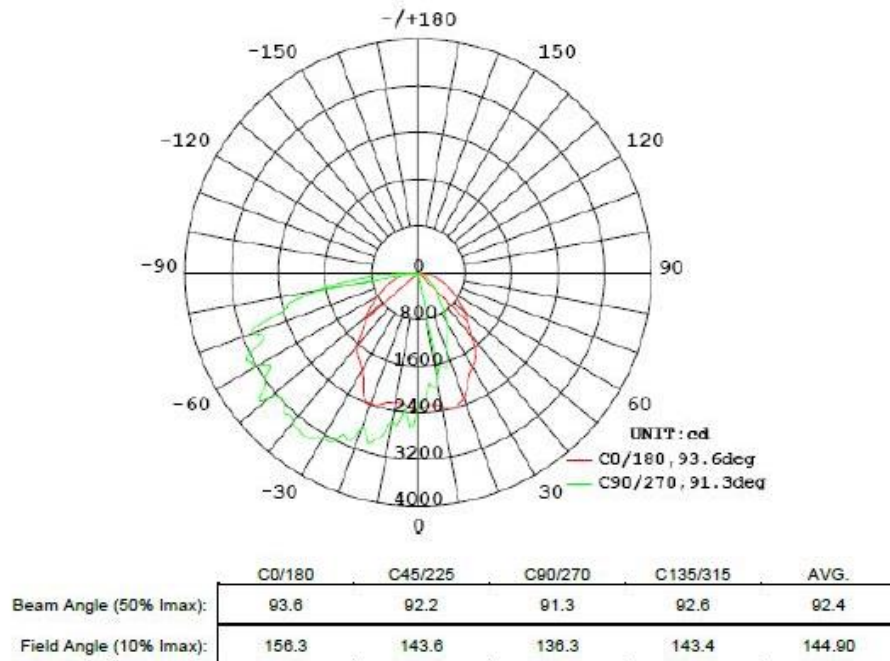
*Based on operation cycle of a minimum of 8 to a maximum of 16 hours per start up to no more than a total rated lifetime of 50,000 hours.

■ Technical Parameters

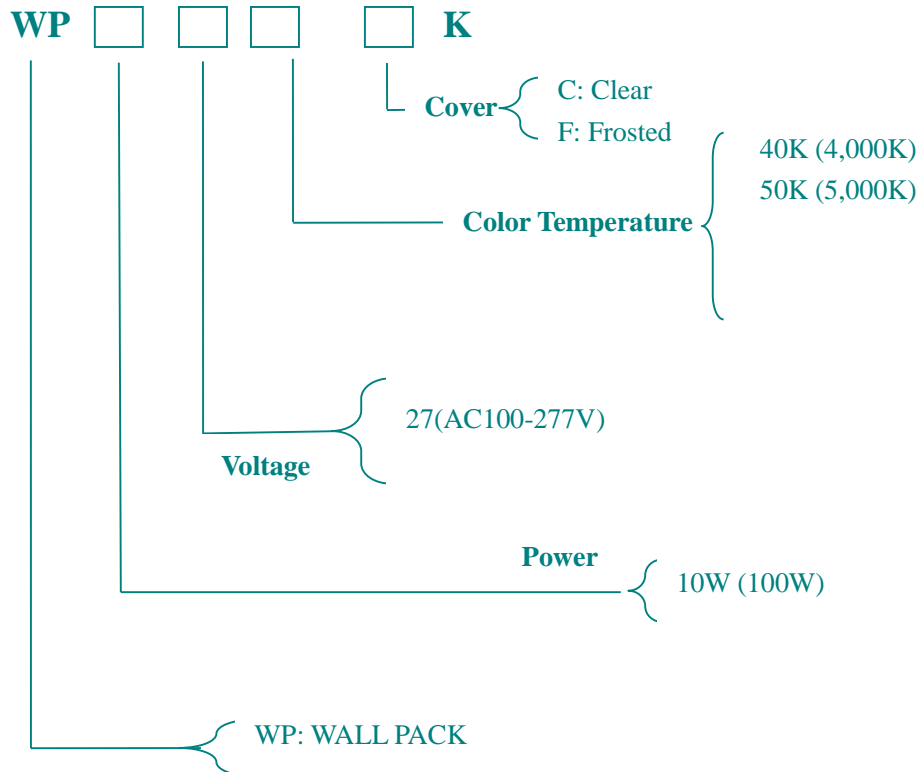
Type	WP10W27-40K-C WP10W27-50K-C		
Power	100W	Lighting Angle	110*130°
Input Voltage	AC100-277V	LED Brightness Decay	<5%/6,000 hrs.
PF	>0.99	Working Life	>50,000 hrs.
Driver Efficiency	>90%	Working Temperature	-22 - +104°F
Luminous Flux	7,392/7,963Lm	Storage Temperature	-40 - +176 °F
Color Temperature	4,000K/5,000K	Protection Level	Wet Location/IP65
CRI	>83	Cable	3 core, 18AWG(4'11")

■ Light Distribution Curve (Clear Lens)

Luminous Intensity Distribution



■ Product Identification



ACES LED reserved the right of changing this datasheet 2015 V1.1