

## ■ Product Pictures



- Philips Lumileds LED chips, high efficiency and long lasting.
- High efficiency LED Driver
- Voltage AC100-277V.
- Lite weight cast aluminum cooling fins for better cooling
- LED T < 185°F.
- Intelligent lampshade design greatly improves light distribution.
- Expect Life-span:50,000 hours\*
- **Optional Photocell Control Available**

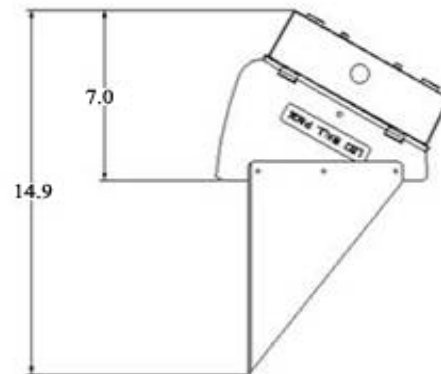
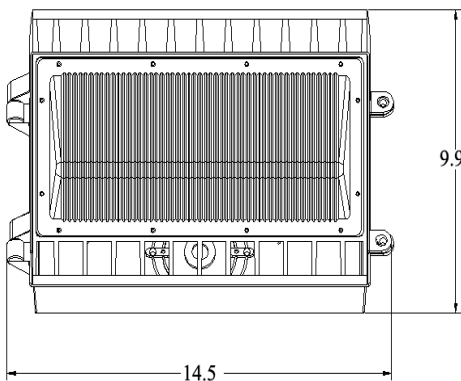


## ■ Product Applications

ACES LED WALL PACK lighting series is designed for indoor and outdoor applications such as manufacturing facilities, warehouses, gas stations, toll booths, train stations, indoor stadiums and greenhouses.

## ■ Structure Features

- **Shell materials:** Aluminum & PC.
- **Color:** Black shell and white lampshade.
- **Net weight:** 13.67 lbs. Unit: in



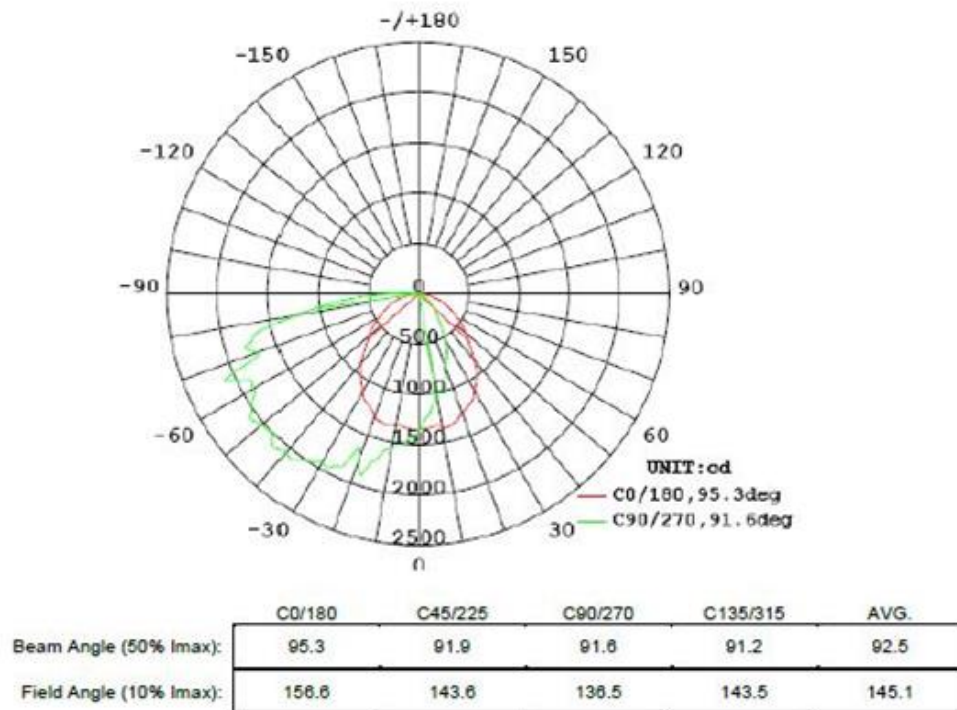
\*Based on operation cycle of a minimum of 8 to a maximum of 16 hours per start up to no more than a total rated lifetime of 50,000 hours.

## Technical Parameters

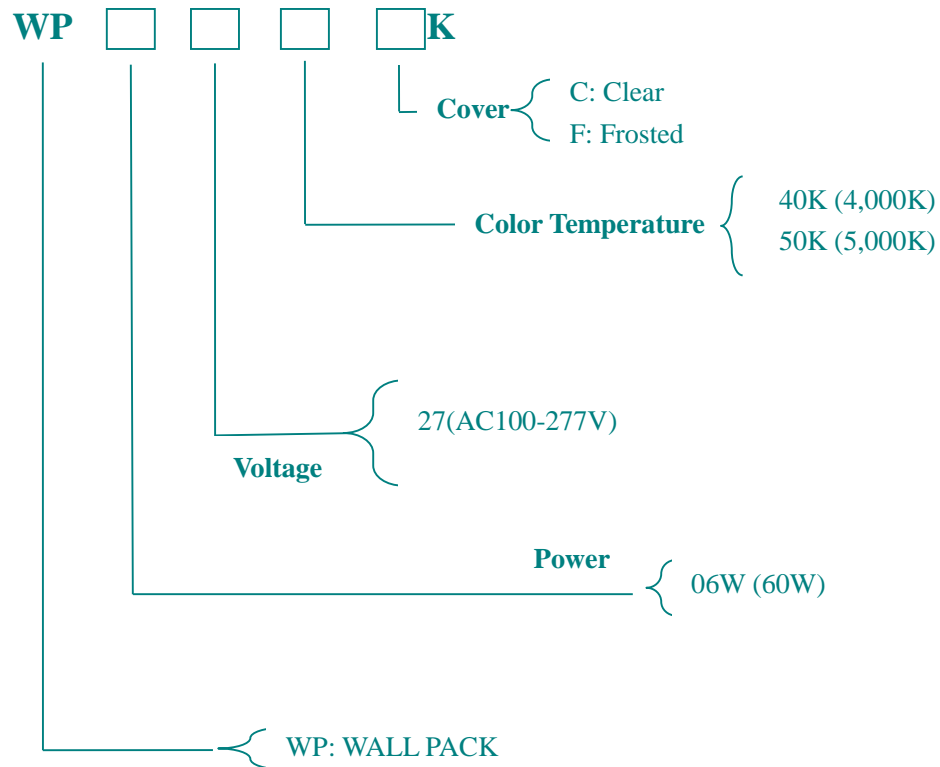
Type	WP06W27-40K-C WP06W27-50K-C		
Power	60W	Lighting Angle	110° / 130°
Input Voltage	AC100-277V	LED Brightness Decay	<5%/6,000 hrs.
PF	>0.99	Working Life	>50,000 hrs.
Driver Efficiency	>90%	Working Temperature	-22 - +104°F
Luminous Flux	4,460/4,673 Lm	Storage Temperature	-40 - +176°F
Color Temperature	4,000K/5,000K	Protection Level	Wet Location/IP65
CRI	>83	Cable	3 core, 18AWG(4'11'')

### Light Distribution Curve (Clear Lens)

Luminous Intensity Distribution



## ■ Product Identification



ACES LED reserved the right of changing this datasheet 2015 V1.1