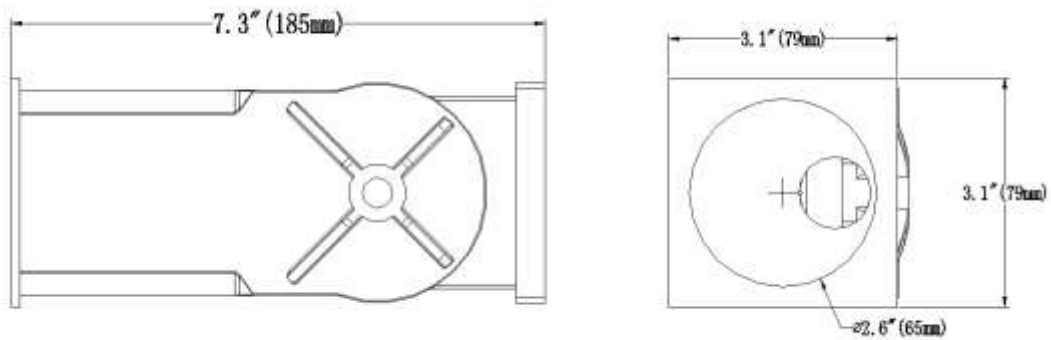
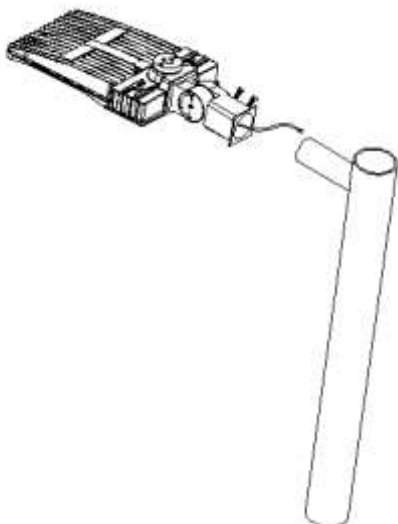


S: Slip fitter Mounting:

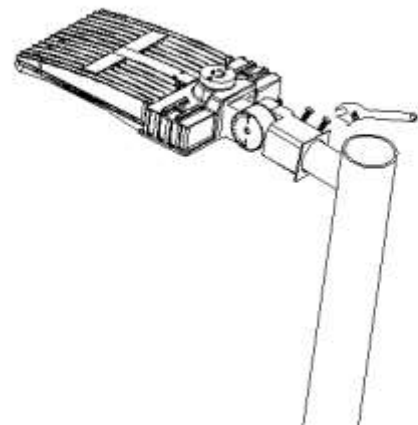
Dimensions of the slip fitter:



Step 1: Connect the AC wire, and then insert the arm of the slip fitter to the pole.

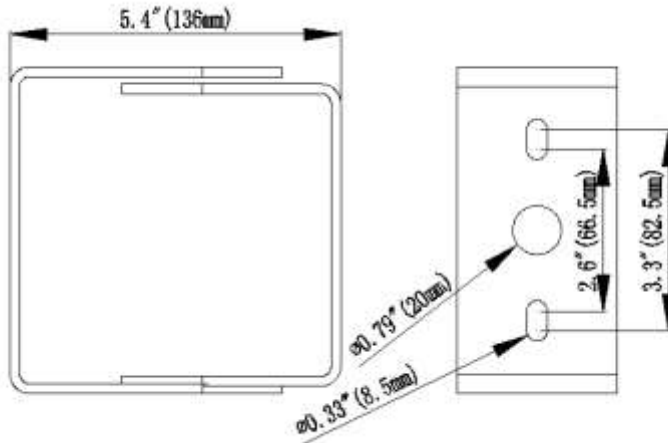


Step 2: Tighten the screws on the side of the arm and then power on.



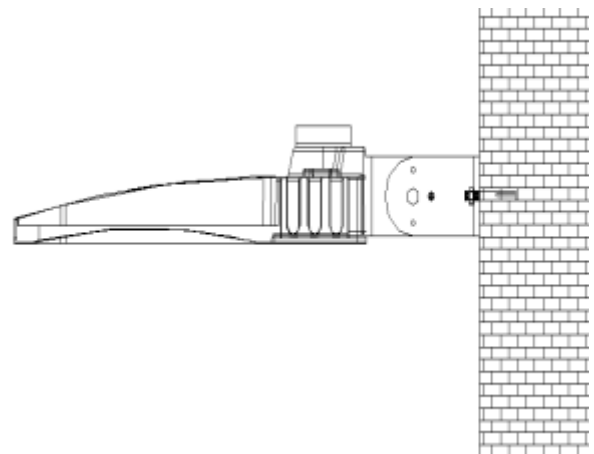
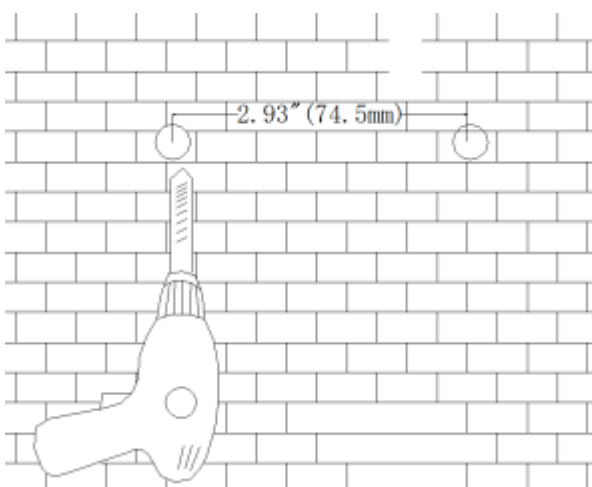
T: Trunnion Mounting:

Dimensions of the trunnion:



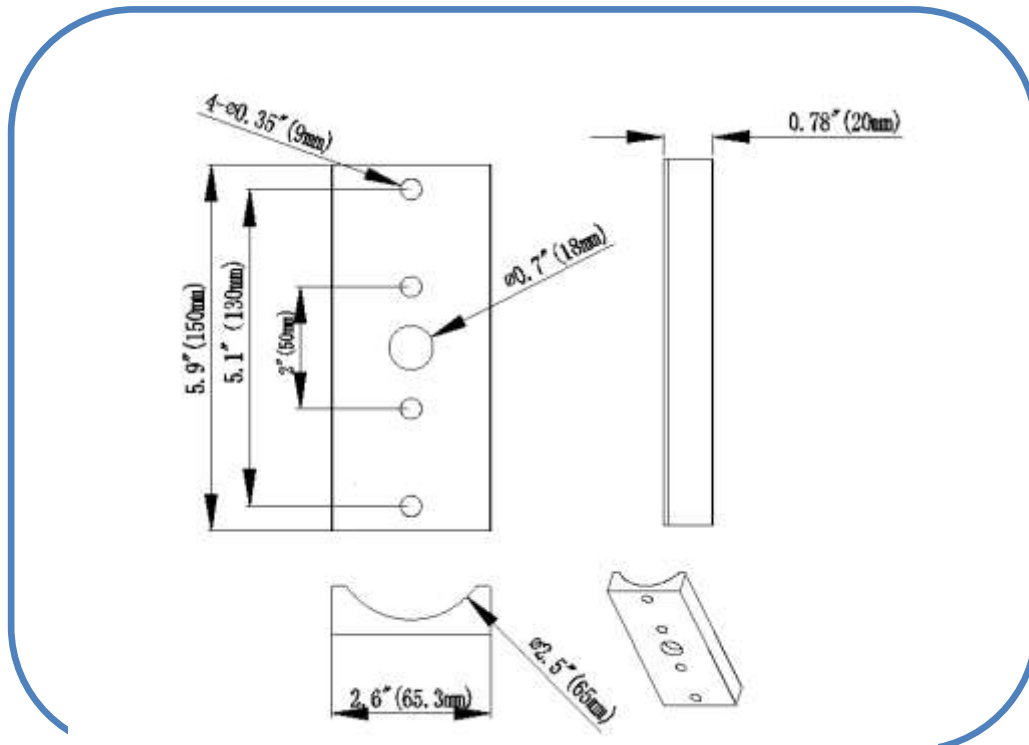
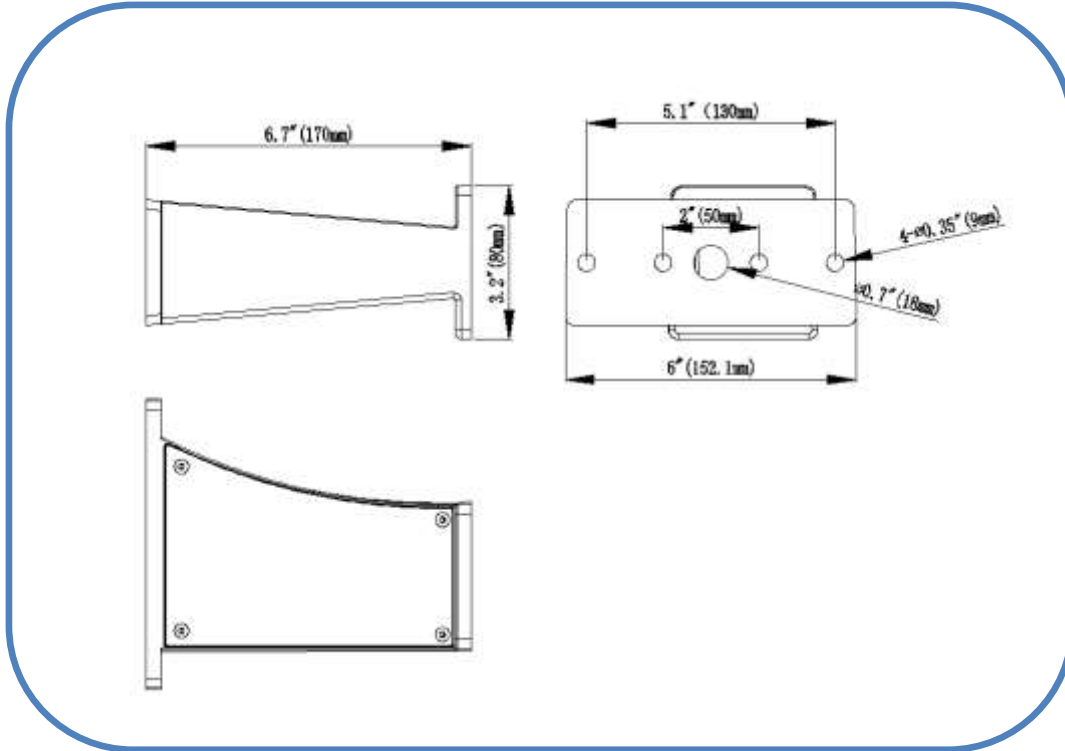
Step 1 : Drill two holes on the wall corresponding to the holes on the trunnion, and knock expansion screws into the holes.

Step 2: Use the nuts to fix the fixture to the wall aiming at the expansion screws, and adjust angle of the bracket and tighten the small screw on the side, then connect the AC wire.



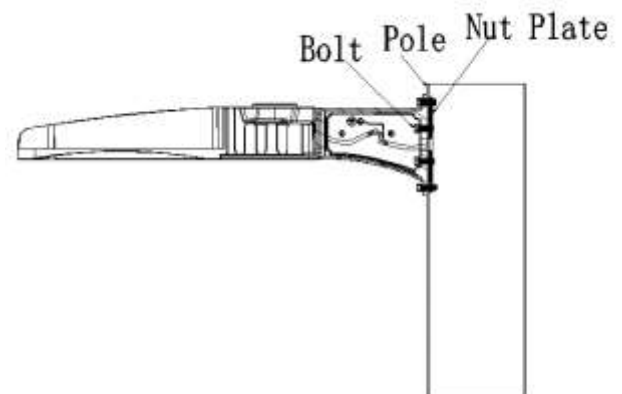
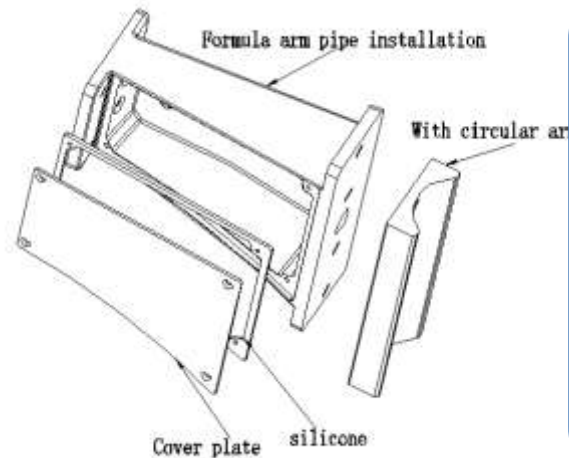
A1: Arm Mounting for Square Pole:

Arm dimensions:

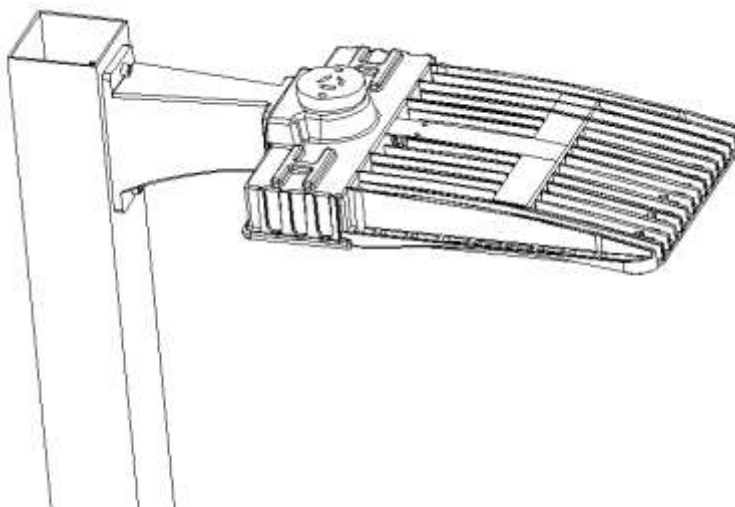


Arm assembly drawing:

Step 1 : Drill holes on the square pole corresponding to the holes on the arm, and use the bolt and nut plate to fix the fixture to the pole tightly.

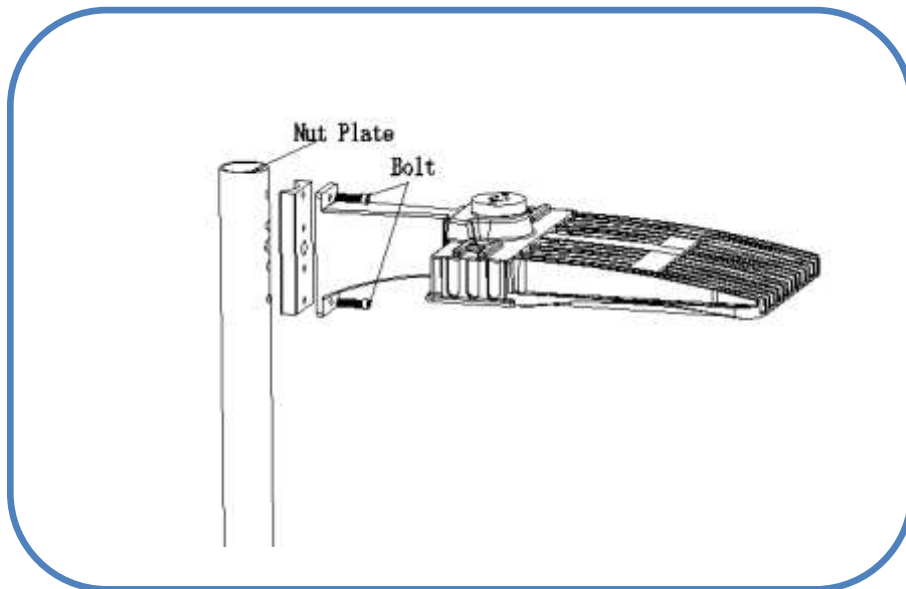


Step 2: Connect the AC wire of the fixture and tighten the water-proof gasket and cover plate on the arm by screws, then power on.

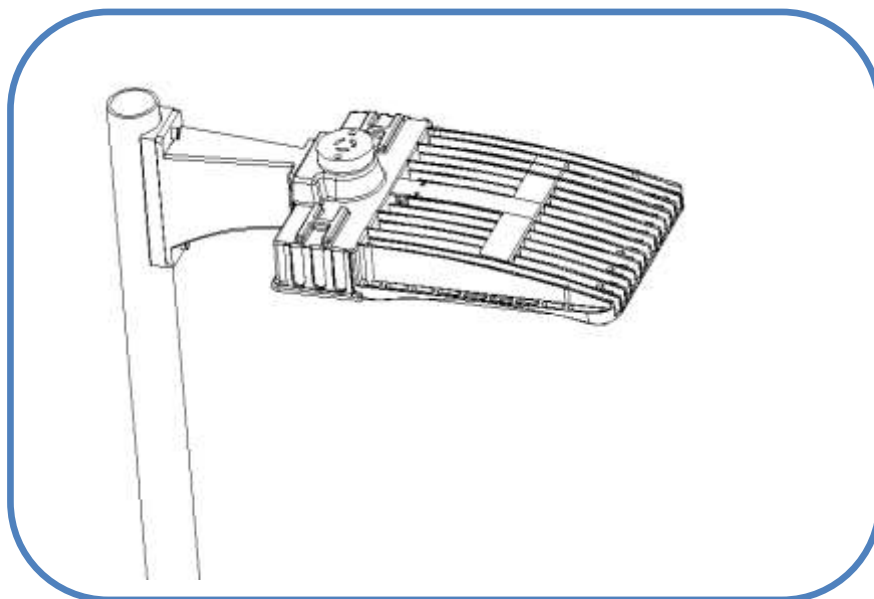


A2: Arm Mounting for Round Pole:

Step 1: Drill holes on the round pole corresponding to the holes on the arm, and use the bolt and nut plate to fix the fixture to the pole tightly.



Step 2: Connect the AC wire of the fixture and tighten the water-proof gasket and cover plate on the arm by screws, then power on.



■ Quality Assurance

- Quality assurance is based on proper storage, transportation, installation, using and maintenance
- Damages caused by man-made mistake or improper use are not covered by the warranty
- During the warranty period, the manufacturer will provide appropriate support and repair service according to the actual situation

■ Safety Tips: non-professional personnel is not allowed to do the related operations

- Be careful about the hit or weight of products
- Handle gently in the process of installation and transportation
- Do not energize before completion
- Do not touch the lamp when lighting on
- General heat is normal situation when the fixture is lighting on

■ Warning

- The product must be installed according to the instructions. Installed by a person familiar with the product, production and product hazards
- Avoid fire and electric shock. When install the lighting fixtures, you need to understand the electrical characteristics. If you are not sure, do not attempt to install. Please contact the electrician
- Understand the structural features and dimensions of lighting before installation
- Do not drill holes or change internal lines when install