

■ Product Features



- Philips Lumileds LED chips, high efficiency and long life.
- MEAN WELL High efficiency LED Driver
- Voltage AC100-277V
- Lite weight die-cast aluminum for better cooling
- LED T < 185°F.
- Intelligent lampshade design greatly improves light distribution.
- Dimmable control module - energy-saving, convenient and user-friendly.
- Expect Life-span:50,000 hours*

PHILIPS
LUMILEDS



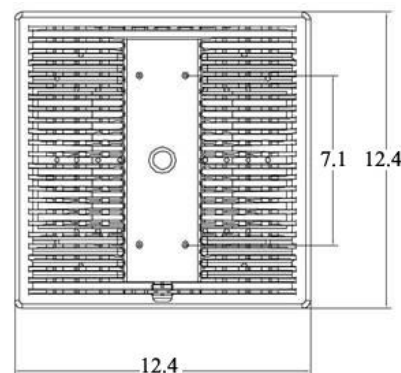
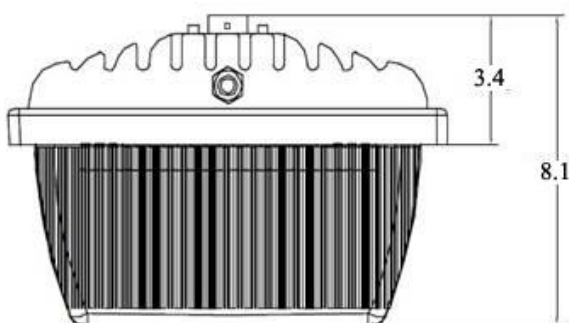
■ Product Applications

ACES LED Canopy Light series is designed for indoor and outdoor applications such as manufacturing facilities, warehouses, gas stations, toll booths, train stations, indoor stadiums and greenhouses.

■ Structure Features

- **Shell materials:** Aluminum & PC
- **Color:** Black/White
- **Net weight:** 14.33 lbs.

Unit: in

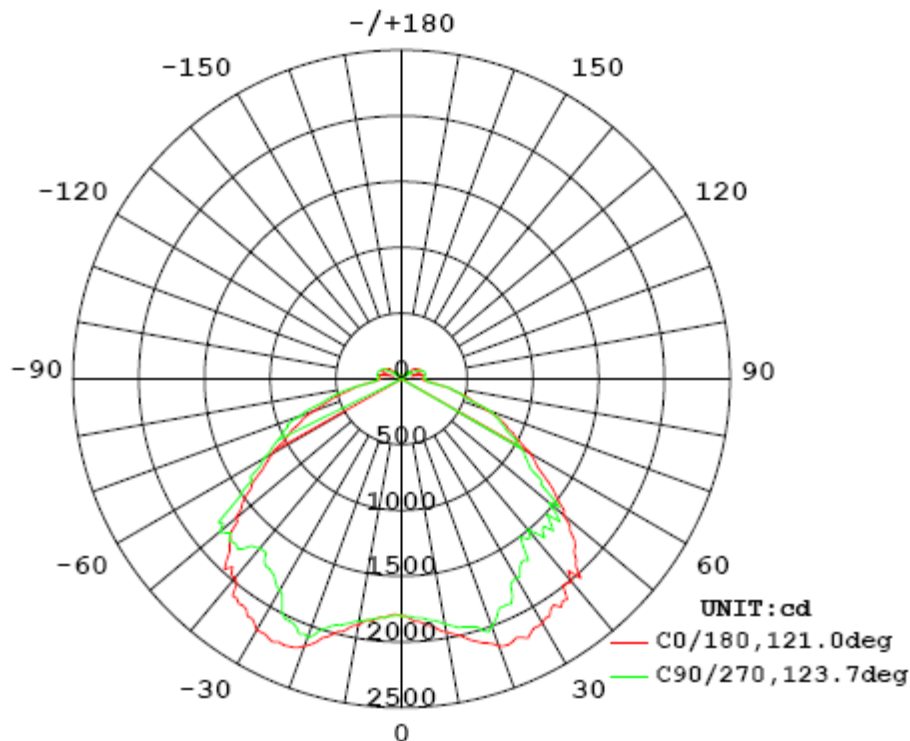


*Based on operation cycle of a minimum of 8 to a maximum of 16 hours per start up to no more than a total rated lifetime of 50,000 hours.

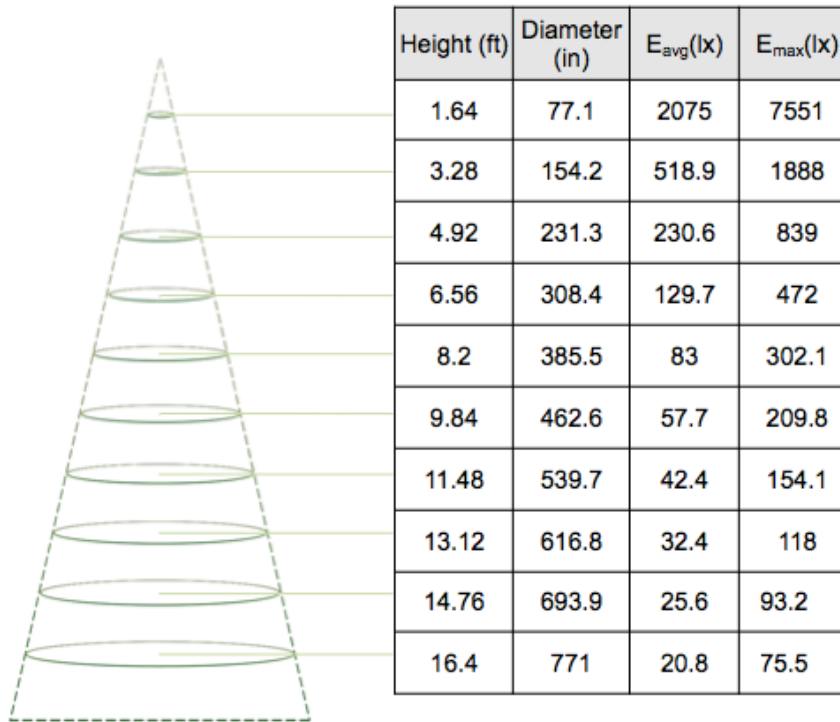
■ Technical Parameters

Type	SCL09W27-xxK		
Power	90W	Lighting Angle	160°
Input Voltage	AC100-277V	LED Brightness Decay	<5%/6,000 hrs.
PF	>0.95	Working Life	>50,000 hrs.
Driver Efficiency	>90%	Working Temperature	-22 - +104°F
Luminous Flux	7,800Lm	Storage Temperature	-40 -+176°F
Color Temperature	3,000K/4,000K/5,000K/6,500k	Protection Level	Wet Location/IP65
CRI	>75	Cable	3 core, 18AWG(4'11")

■ Photometry



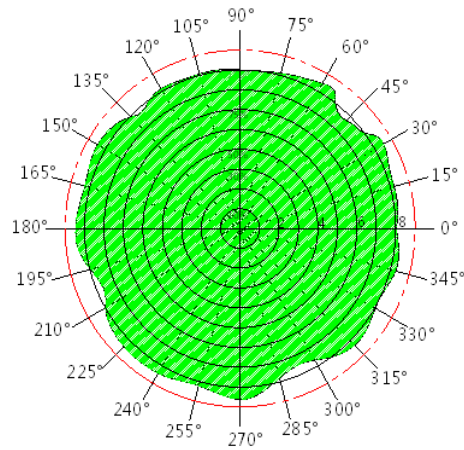
■ Illuminance at a Distance:



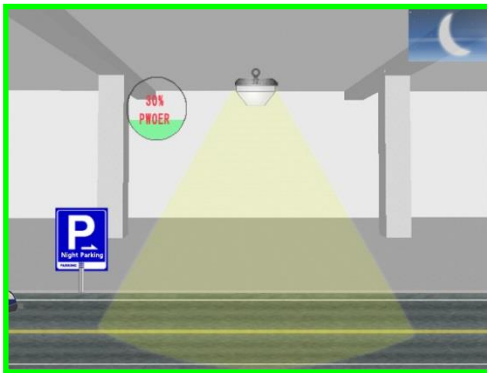
■ Technical Parameters(Dimmable Control Module)

Type	SCL09W27-xxK-D		
Power	90W	Lighting Angle	160°
Input Voltage	AC100-277V	LED Brightness Decay	<5%/6,000 hrs.
PF	>0.95	Working Life	>50,000 hrs.
Driver Efficiency	>90%	Working Temperature	-22 - +104°F
Luminous Flux	7,800Lm	Storage Temperature	-40 -+180°F
Color Temperature	3,000K/4,000K/ 5,000K/6,500K	Protection Level	Damp Location/IP54
CRI	>75	Cable	3 core, 18AWG(1.5m)
Control Module Power	0.5/1W	Nominal Load	1,000W
Installation Height	39.97'(MAX)	Induction distance	0.5-8m
Induction angle	≤170°	Time-delay	10s~30min

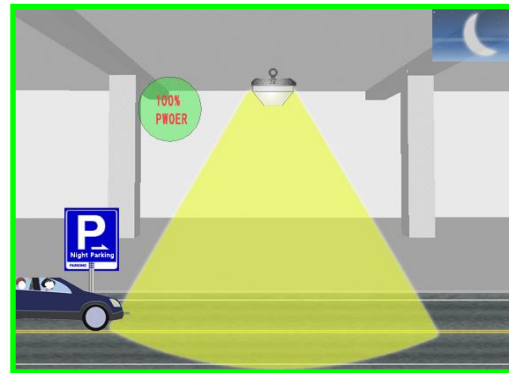
■ Microwave radiation



■ Dimmable Control Instructions



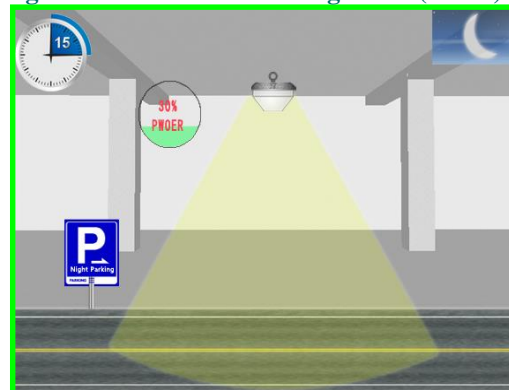
Mode 1: Light brightness at 30% (adjustable) when there is no presence.



Mode 2: When there is presence in the sensing area, all lights will turn on to full brightness (100%).



Mode 3: Full brightness continues for a set period after presence is sensed.



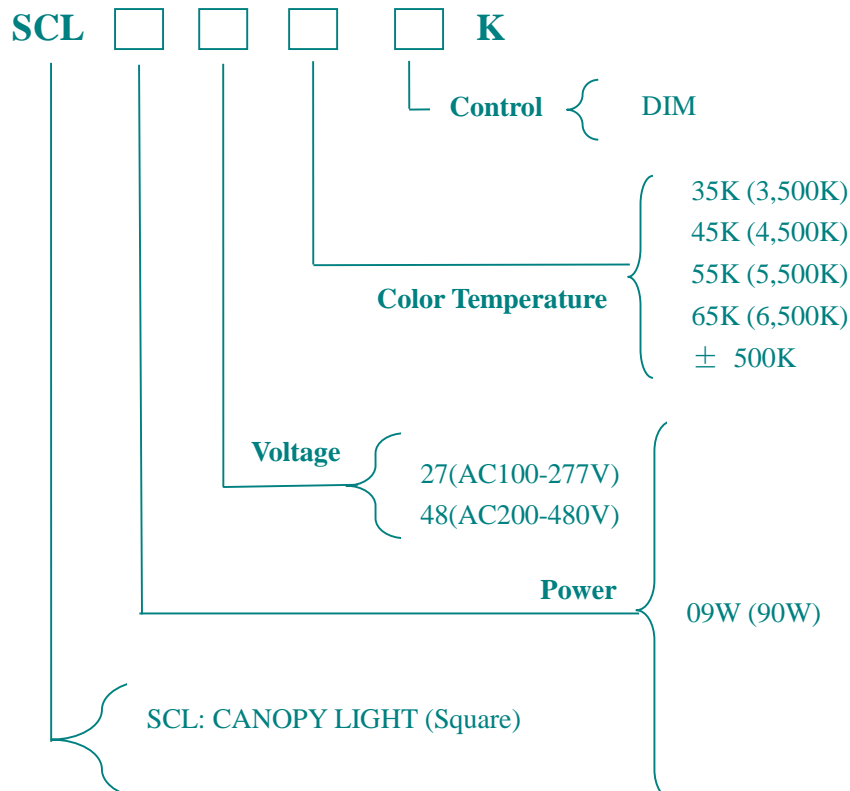
Mode 4: After a predetermined period of time since presence is not sensed brightness returns to 30%.

■ Product packaging

Package Size: L16.14"×W16.14"×H12.6" 1 PCS



● Product Identification



ACES LED reserved the right of changing this datasheet 2015 V1.1