

Product Features



- Philips Lumileds LED, high luminous efficiency and long life
- MEAN WELL High efficiency LED Driver
- Input voltage AC100-277V
- Fins cooling design, better cooling, lite weight, LED T < 185°F
- Excellent optical design greatly improves light evenness and utilization
- Dimmable Control Module - energy saving, convenient and user-friendly
- Expect Life-span:50,000 hours*



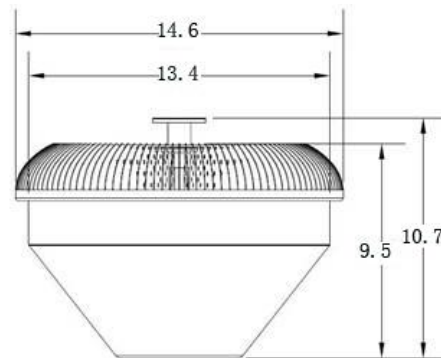
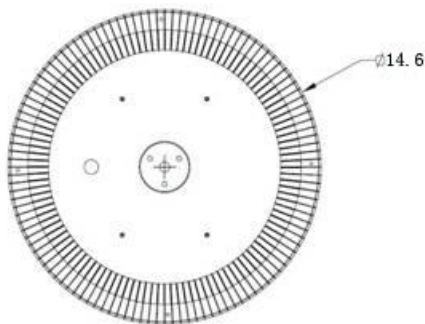
Product Applications

ACES LED Low Bay Light series is designed for indoor and outdoor applications such as manufacturing facilities, warehouses, gas stations, toll booths, train stations, indoor stadiums and greenhouses.

Structure Features

- **Shell materials:** 1070 Aluminum & PC
- **Color:** Black or White
- **Net weight :** 8.95 lbs.

Unit: in



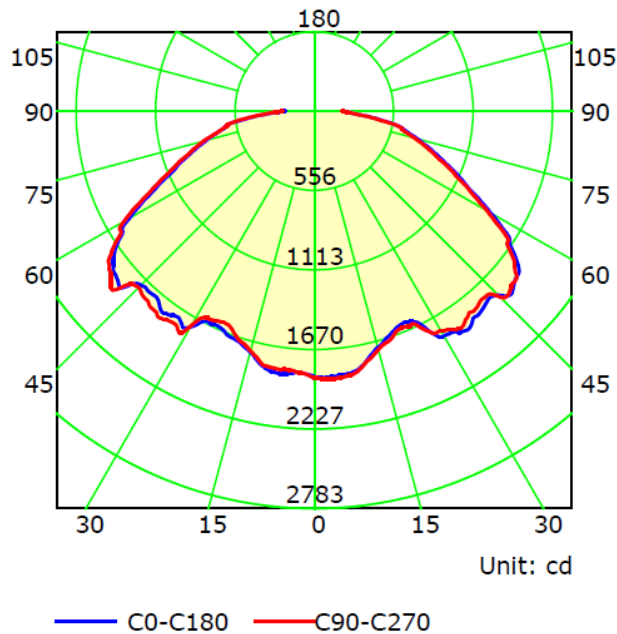
*Based on operation cycle of a minimum of 8 to a maximum of 16 hours per start up to no more than a total rated lifetime of 50,000 hours.

■ Technical Parameters

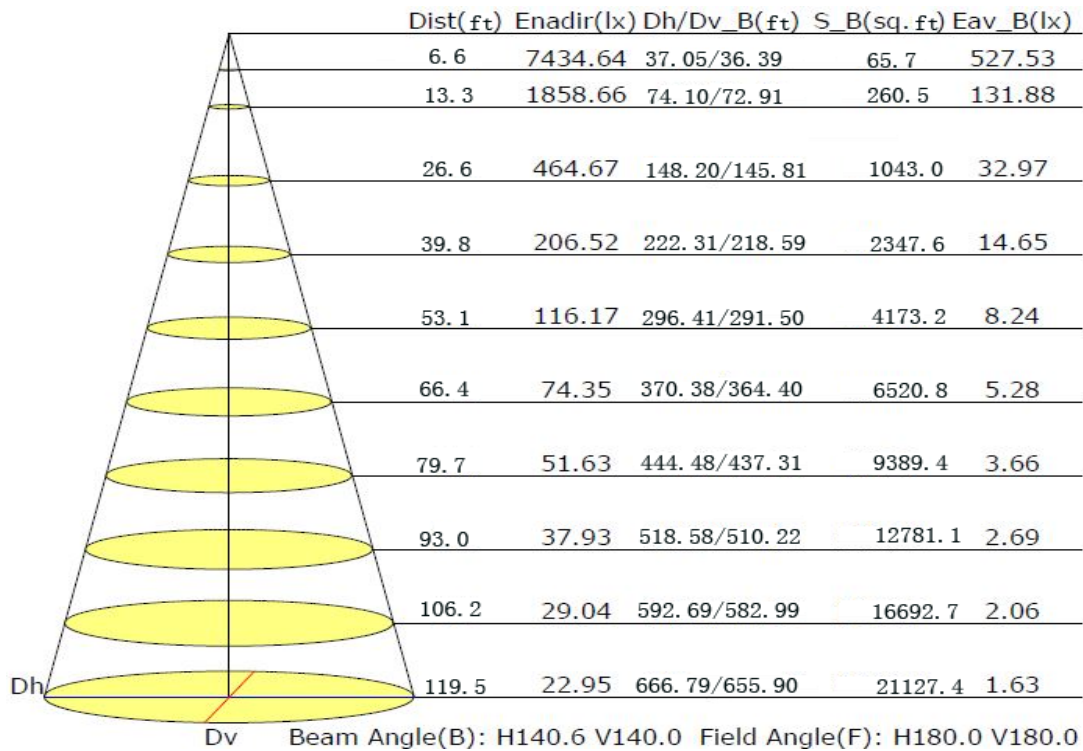
Type	LB09W27-xxK		
Power	90W	Lighting Angle	160°
Input Voltage	AC100-277V	LED Brightness Decay	<5%/6,000 hrs.
PF	>0.95	Working Life	>50000 hrs
Driver Efficiency	>90%	Working Temperature	-22 - +104°F
Luminous Flux	7,800Lm	Storage Temperature	-40 -+176°F
Color Temperature	3,000K/4,000k/5,000K/6500K	Protection Level	Damp Location/IP54
CRI	Ra>75	Cable	3 core, 18AWG

■ Photometry

Luminous Intensity Distribution Curve



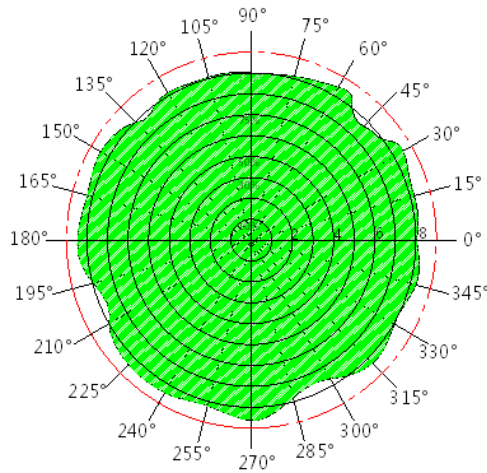
■ Illuminance at a Distance:



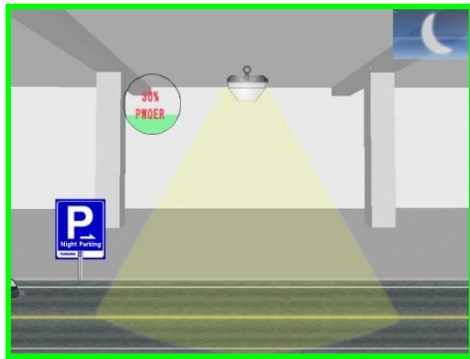
■ Technical Parameter(Dimmable Control Gear)

Type	ACES-LB09W27-xxK-D		
Power	90W	Lighting Angle	160°
Input Voltage	AC100-277V	LED Brightness Decay	<5%/6000 hrs
PF	>0.95	Working Life	>50000 hrs
Driver Efficiency	>90%	Working Temperature	-22 - +104°F
Luminous Flux	7800Lm	Storage Temperature	-40 -+176°F
Color Temperature	3000K/4000k/5000K/6500k	Protection Level	Damp Location/IP54
CRI	Ra>75	Cable	3 core, 18AWG(4'11")
Control Module Power	0.5/1W	Nominal Load	1000W
Installation Height	39.37'(MAX)	Induction distance	1.64 - 26.25'
Induction angle	≤170°	Time-delay	10s~30min

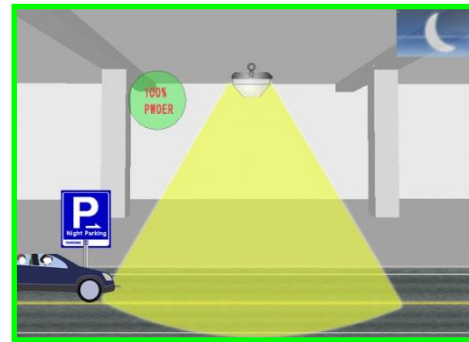
■ Microwave radiation



■ Dimmable Control Instructions



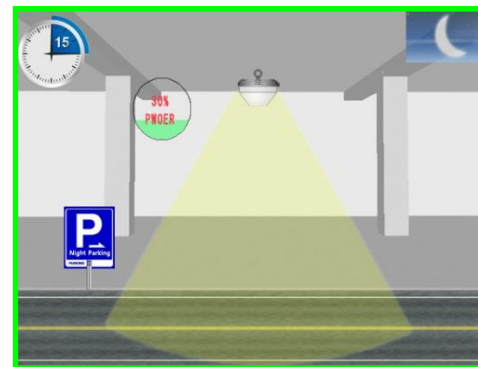
Mode 1: Light brightness at 30% (adjustable) when there is no presence



Mode 2: When there is presence in the sensing area, all lights will turn on to full brightness (100%)



Mode 3: Full brightness continues for a set period after presence is sensed.



Mode 4: After a predetermined period people of time since presence is not sensed brightness returns to 30%.

■ Product packaging

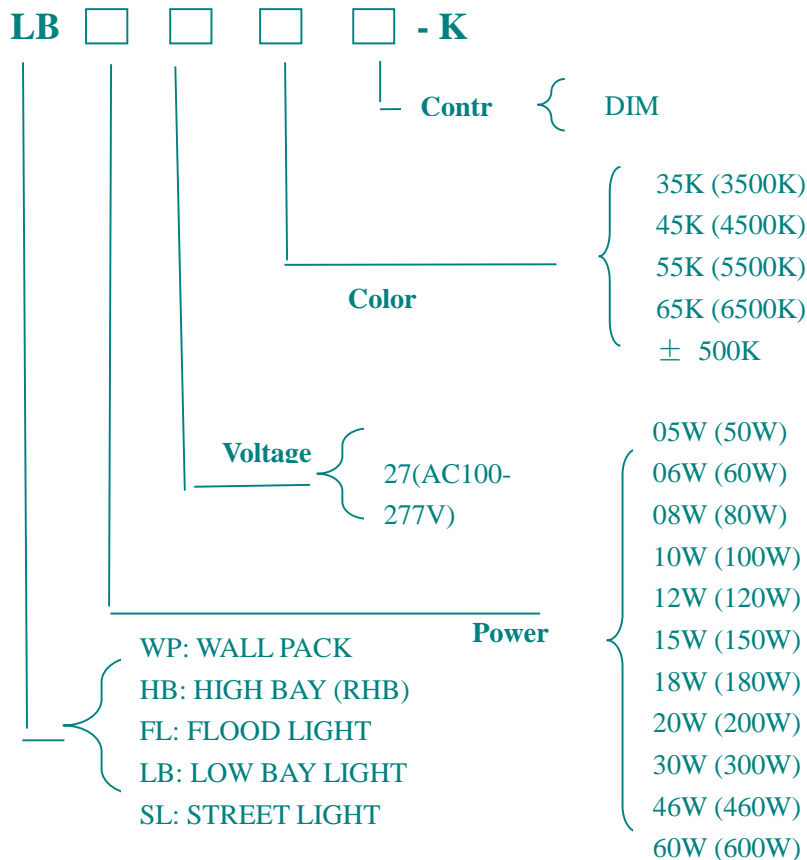
Package Size: L16.14"×W16.14"×H12"

1 PCS

GW: 13.23 lbs.



● Product Identification



ACES LED reserved the right of changing this datasheet 2015 V1.1