

■ Product Features



- Philips Lumileds LED chips, high efficiency and long life.
- MEAN WELL high efficiency LED driver
- Voltage AC100-277V
- Lite weight cast aluminum cooling fins for better cooling
- LED T < 185°F.
- Intelligent lampshade design greatly improves light distribution
- Dimmable Control Module - energy saving, convenient and user-friendly
- Expect Life-span:50,000 hours*

PHILIPS
LUMILEDS

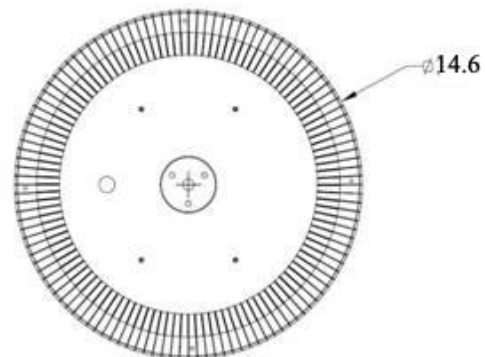
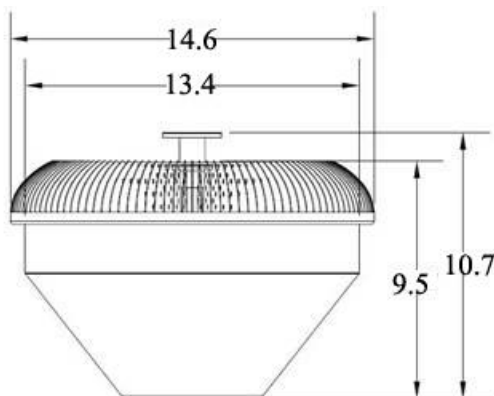
■ Product Applications

ACES LED Low Bay Light series is designed for indoor and outdoor applications such as manufacturing facilities, warehouses, gas stations, toll booths, train stations, indoor stadiums and greenhouses.

Structure Features

- **Shell materials:** 1070 Aluminum & PC
- **Color:** Black or White
- **Net weight:** 6.61 lbs.

Unit: in

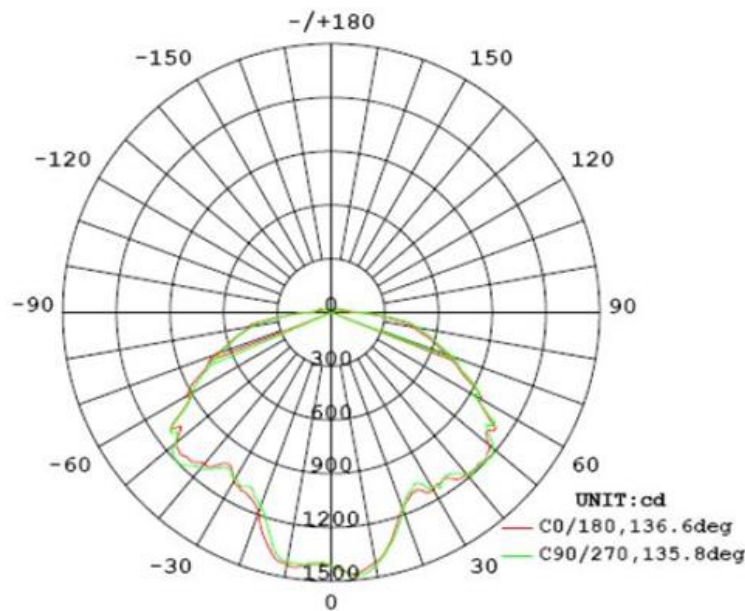


*Based on operation cycle of a minimum of 8 to a maximum of 16 hours per start up to no more than a total rated lifetime of 50,000 hours.

■ Technical Parameters

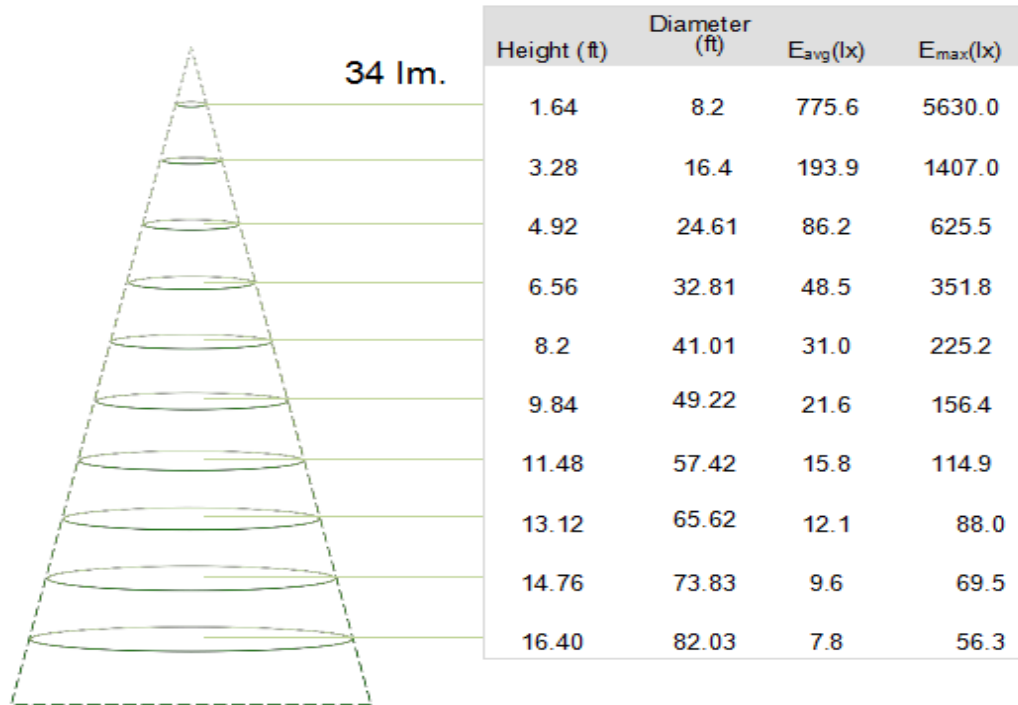
Type	LB06W27-50K		
Power	60W	Lighting Angle	136°
Input Voltage	AC100-277V	LED Brightness Decay	<5%/6,000 hrs.
PF	>0.99	Working Life	>50,000 hrs.
Driver Efficiency	>90%	Working Temperature	-22 - +104°F
Luminous Flux	5,311Lm	Storage Temperature	-40 - +176 °F
Color Temperature	5,000K	Protection Level	Damp Location/IP54
CRI	>85	Cable	3 core, 18AWG(4'11")

■ Photometry



	C0/180	C45/225	C90/270	C135/315	AVG.
Beam Angle (50% I _{max}):	136.6	136.7	135.8	136.5	136.40
Field Angle (10% I _{max}):	179.8	180.1	180.0	180.2	180.03

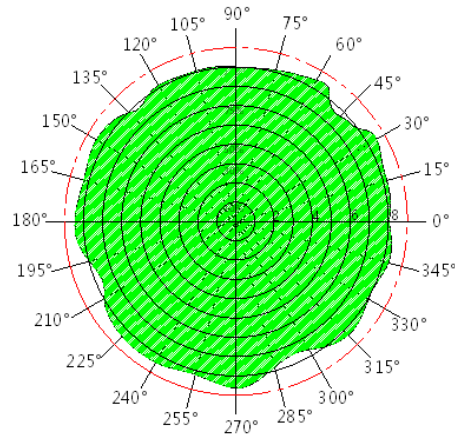
■ Illuminance at a Distance:



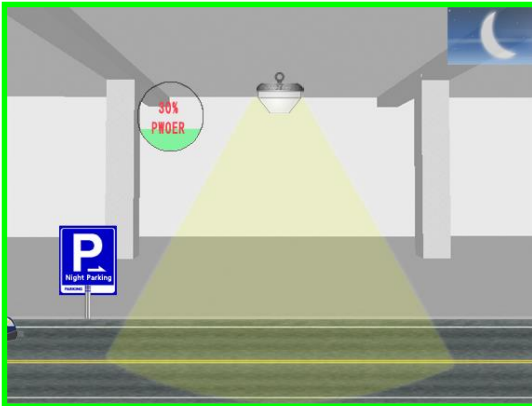
■ Technical Parameter (Dimmable Control Module)

Type	ACES-LB06W27-50K-D		
Power	60W	Lighting Angle	136°
Input Voltage	AC100-277V	LED Brightness Decay	<5%/6,000 hrs.
PF	>0.99	Working Life	>50,000 hrs.
Driver Efficiency	>90%	Working Temperature	-22 - +104°F
Luminous Flux	5,311Lm	Storage Temperature	-40 - +176 °F
Color Temperature	5,000K	Protection Level	Damp Location/IP54
CRI	>85	Cable	3 core, 18AWG(4'11")
Control Module Power	0.5/1W	Nominal Load	1,000W
Installation Height	39.4'(MAX)	Induction distance	18"-26.2'
Induction angle	≤170°	Time-delay	10s~30min

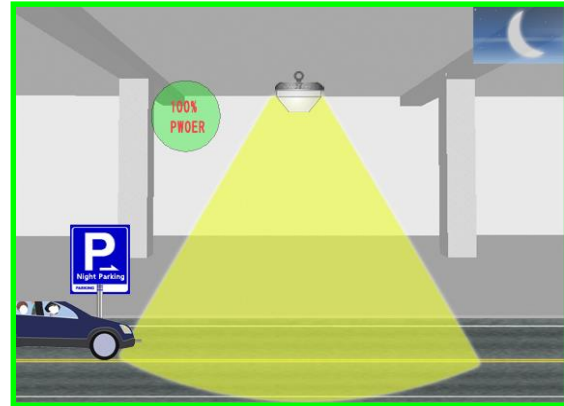
■ Microwave radiation



■ Dimmable Control Instructions



Mode 1: Light brightness at 30% (adjustable) when there is no presence



Mode 2: When there is presence in the sensing area, all lights will turn on to full brightness (100%)



Mode 3: Full brightness continues for a set period after presence is sensed.



Mode 4: After a predetermined period people of time since presence is not sensed brightness returns to 30%.

■ Product packaging

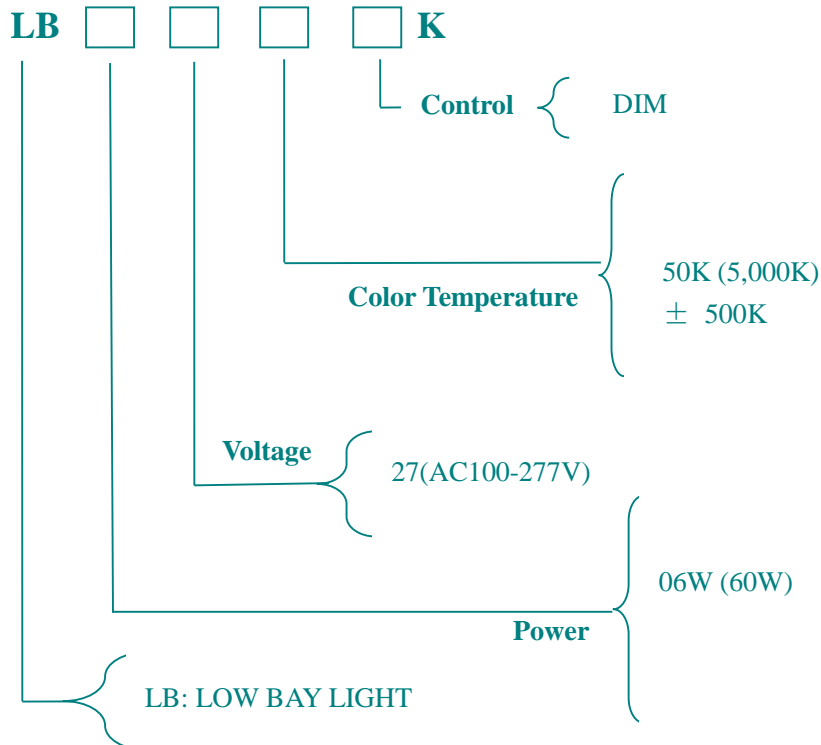
Package Size: L 16.14" × W1 6.14" × H 12"

1 PCS

GW: 13.23 lbs.



● Product Identification



ACES LED reserved the right of changing this datasheet 2015 V1.1