

## ■ Product Features



- CREE Second Generation XMLB LED, high efficiency and long life.
- MEAN WELL High efficiency LED Driver
- Voltage AC100-277V
- Lite weight heat pipe with fins for better cooling
- LED T < 185°F
- Intelligent lampshade design greatly improves light distribution.
- Expect Life-span:50,000 hours\*

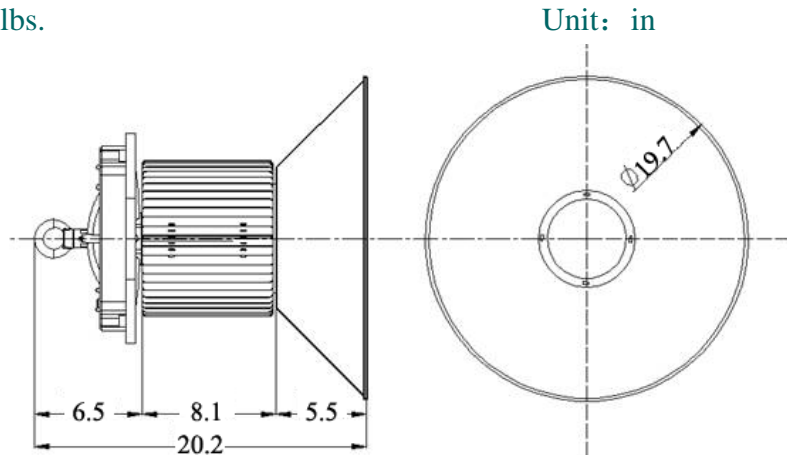
## ■ Product Applications



ACES LED High Bay Lighting series is designed for indoor and outdoor applications such as manufacturing facilities, warehouses, gas stations, toll booths, train stations, indoor stadiums and greenhouses.

## ■ Structure Features

- **Shell materials:** Heat pipe and cooling fins - 1070 aluminum alloy.
- **Color:** Silver white (Electrolytic shading)
- **Net weight:** 17.2 lbs.

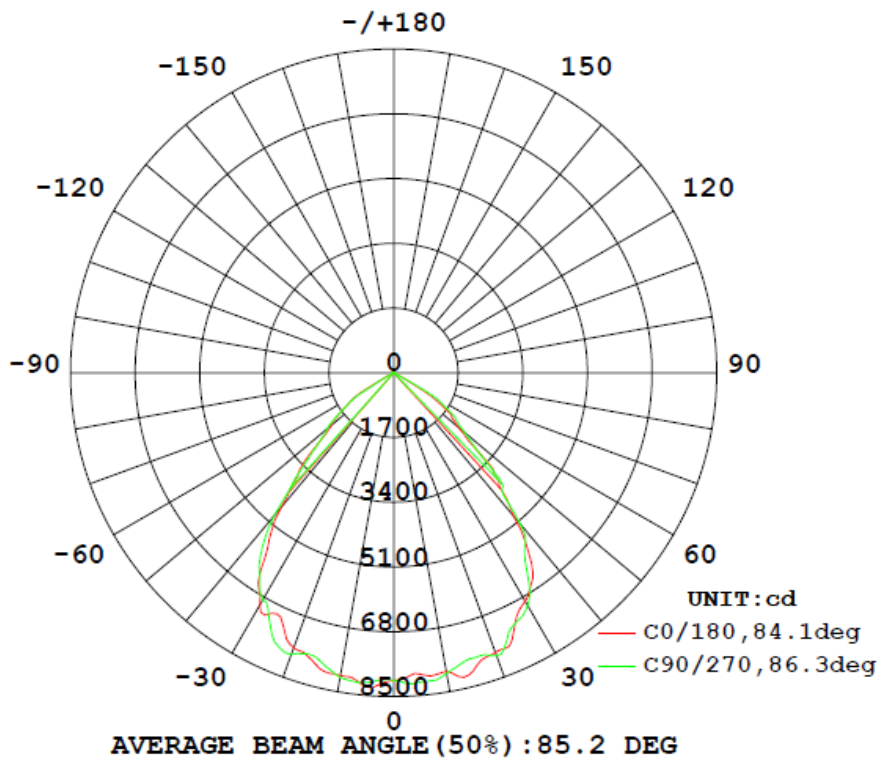


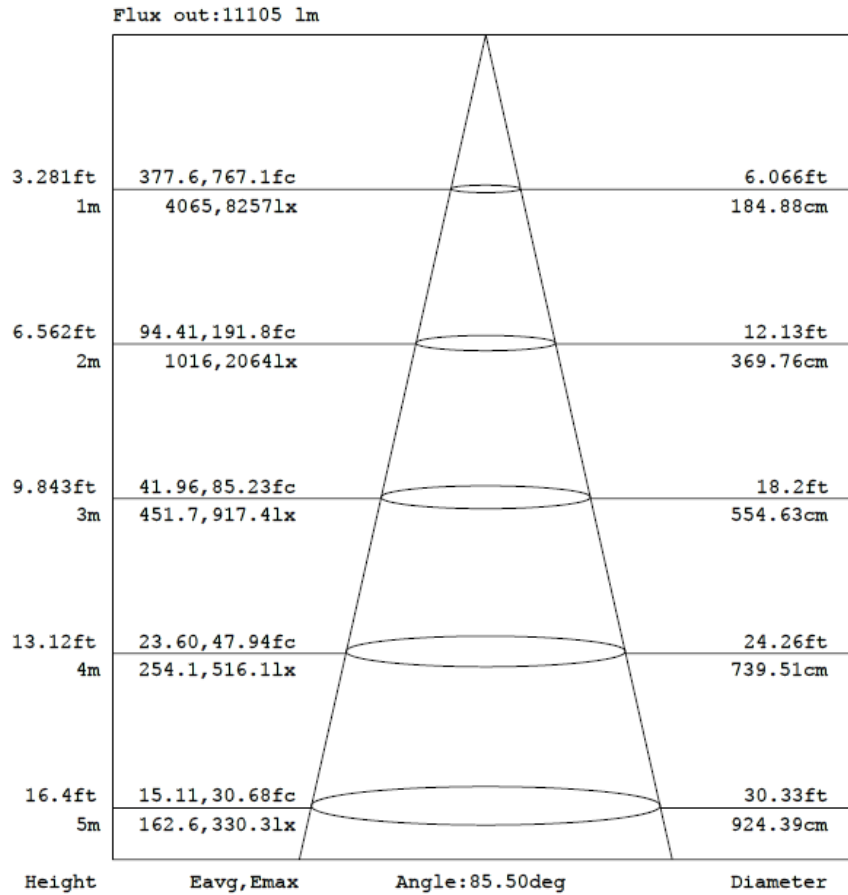
\*Based on operation cycle of a minimum of 8 to a maximum of 16 hours per start up to no more than a total rated lifetime of 50,000 hours.

## Technical Parameters

Type	HB20W27-xxK		
Power	200W	Lighting Angle	90°
Input Voltage	AC100-277V	LED Brightness Decay	<5%/6,000 hrs.
PF	>0.95	Working Life	>50,000 hrs.
Driver Efficiency	>90%	Working Temperature	-22 - +104°F
Luminous Flux	15,350/19,357 Lm	Storage Temperature	-40 -+176 °F
Color Temperature	4,000K/5,000K	Protection Level	Wet Location/IP65
CRI	75	Cable	3 core, 18AWG(4'11'')

### ■ Irradiation Area (90° Lens)





## ■ Installation Instructions



- White line is “L”, black line is “N”, green line is “Ground”.

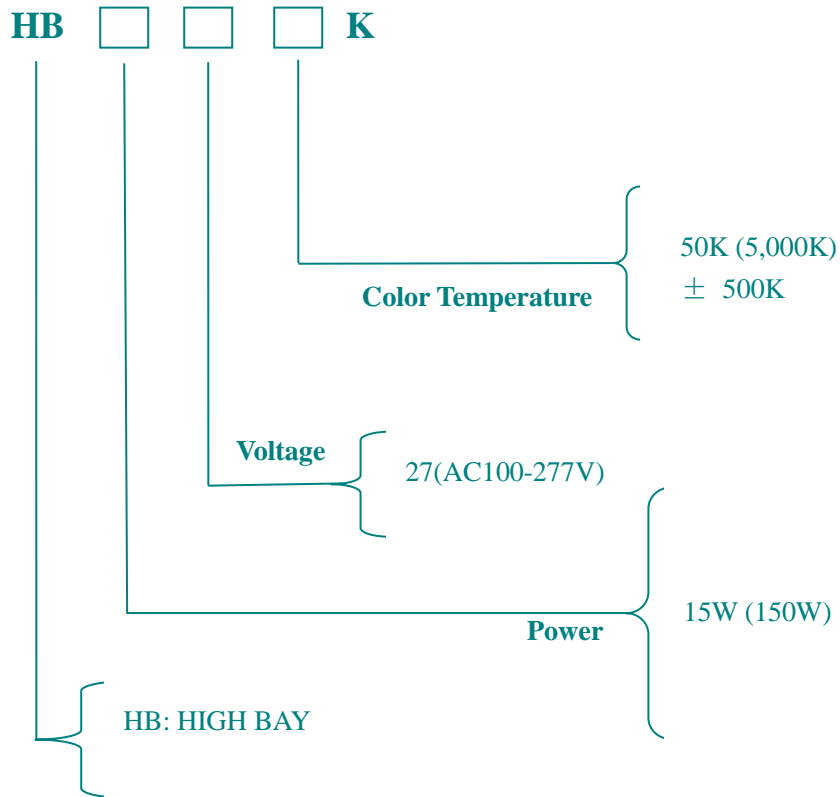
### ■ Notice:

Please have professional licensed electricians install these fixtures in order to minimize risk of injury and/or property damage.



- Secure the lampshade

- **Product Identification**



ACES LED reserved the right of changing this datasheet 2015 V1.1