

■ Product Features



- CREE Second Generation XMLB LED chips, high luminous efficiency and long working life.
- MEAN WELL High efficiency LED Driver.
- Voltage AC100-277V.
- Lite weight heat pipe with fins for better cooling
- LED T < 185°F.
- Intelligent lampshade design greatly improves light distribution.
- Expect Life-span:50,000 hours*

■ Product Applications

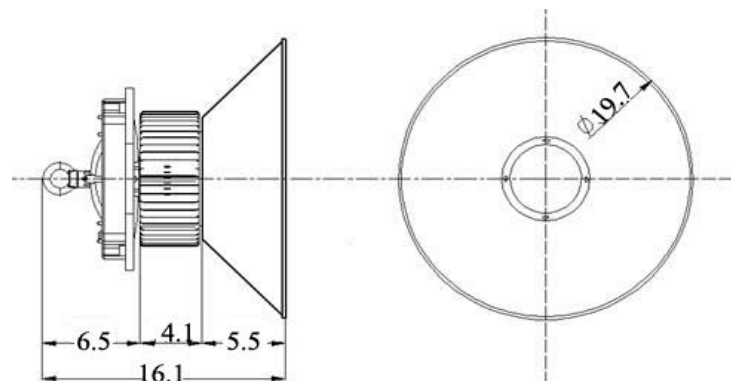


ACES LED High Bay Lighting series is designed for indoor and outdoor applications such as manufacturing facilities, warehouses, gas stations, toll booths, train stations, indoor stadiums and greenhouses.

■ Structure Features

- **Shell materials:** Heat pipe and cooling fins - 1070 aluminum alloy.
- **Color:** Silver white (Electrolytic shading)
- **Net weight:** 12.13 lbs.

Unit: in

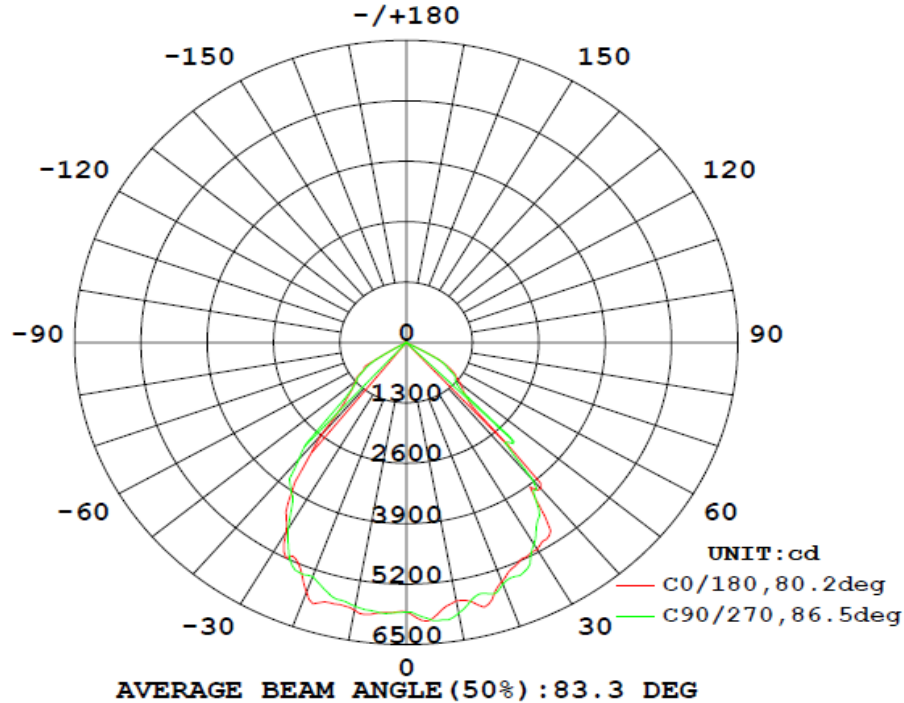


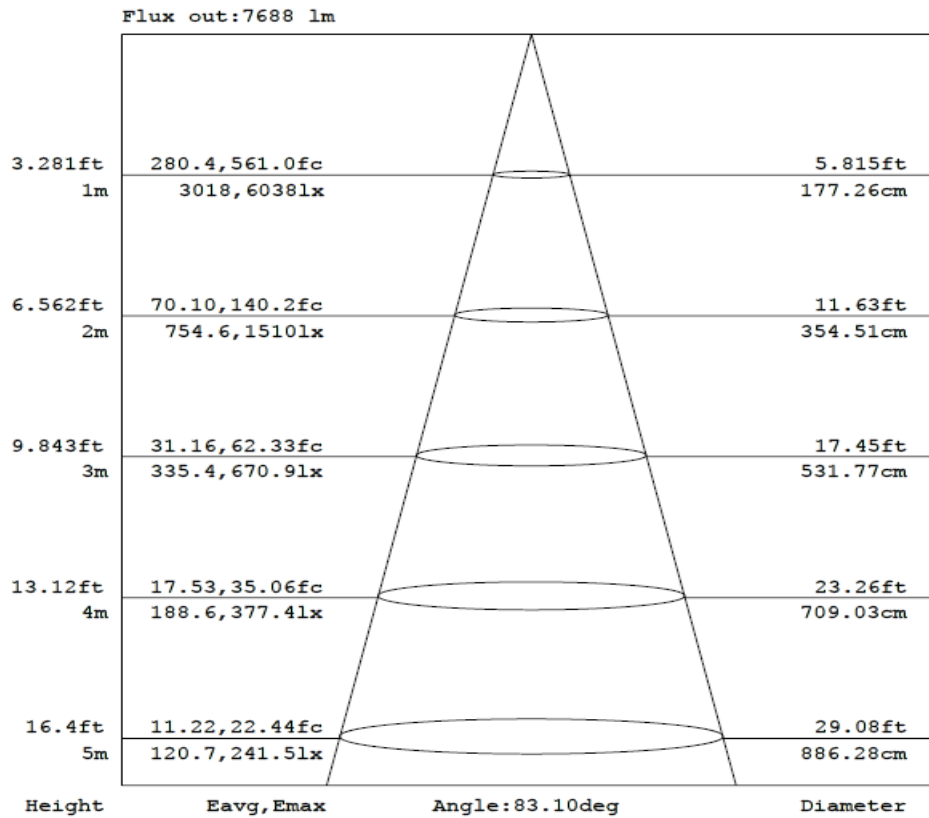
*Based on operation cycle of a minimum of 8 to a maximum of 16 hours per start up to no more than a total rated lifetime of 50,000 hours.

■ Technical Parameters

Type	HB10W27-50K		
Power	100W	Lighting Angle	90°
Input Voltage	AC100-277V	LED Brightness Decay	<5%/6,000 hrs.
PF	>0.95	Life	>50,000 hrs.
Driver Efficiency	>90%	Working Temperature	-22 - +104°F
Luminous Flux	9,786 Lm	Storage Temperature	-40 -+180°F
Color Temperature	5,000K	Protection Level	Wet Location/IP65
CRI	75	Cable	3 core, 18AWG(4'11")

■ Irradiation Area (90° Lens)





■ Installation Instructions



- The white line is “L”, the black line is “N”, the green line is “Ground”.

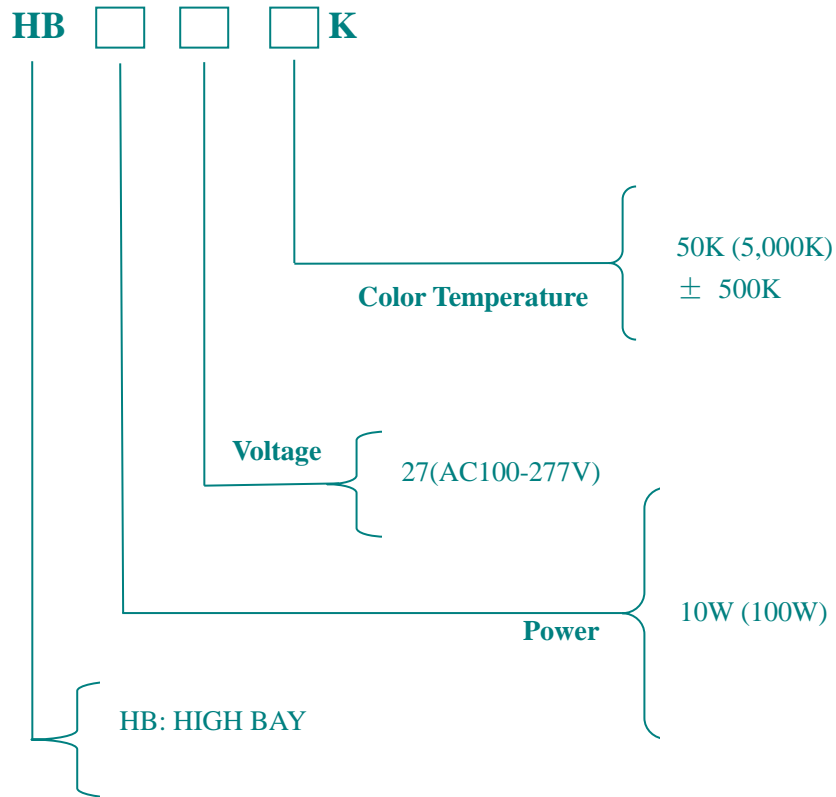
- **Notice:**

Please have professional licensed electricians install these fixtures in order to minimize risk of injury and/or property damage.



- Secure the lampshade.

- **Product Identification**



ACES LED reserved the right of changing this datasheet 2015 V1.1