

■ Product Pictures



- Lumileds LED, high luminous efficiency and long working life.
- High efficiency LED Driver, the wide range input voltage AC100-277V and AC200-480V.
- Cast aluminum cooling design, better cooling, light in weight, LED Tj < 85°C.
- Excellent Optics design, greatly improve the light utilization and evenness.
- Photocell Control Available (Option)

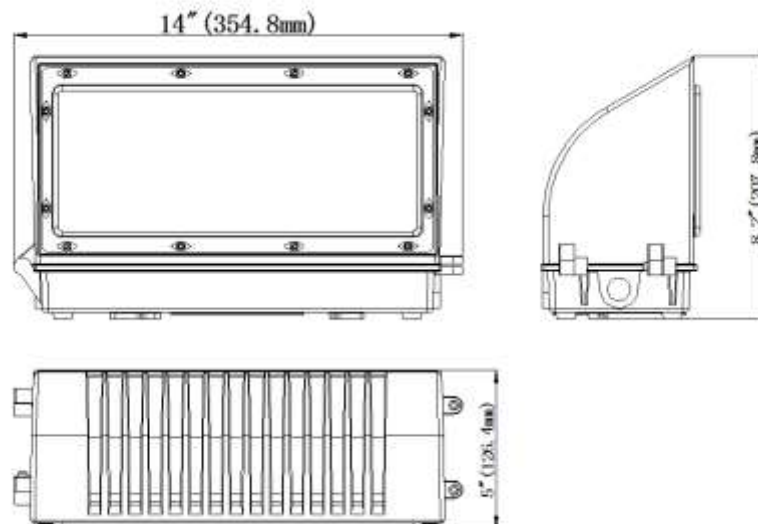


■ Product Applications

ACES LED FULL CUTOFF WALL PACK Lighting series can be widely used in indoor or outdoor lighting (Wet location), like mechanical or electronic processing workshops, storage warehouses, steel mills, gas stations, toll booth, waiting rooms, the platforms of railway station, indoor stadiums and flower cultivating tents etc.

■ Structure Features

- Shell materials: Aluminum & PC.
- Finish: Dark Bronze/White
- Net weight: 3.00kgs (6.61 lbs) Unit: inch(mm)

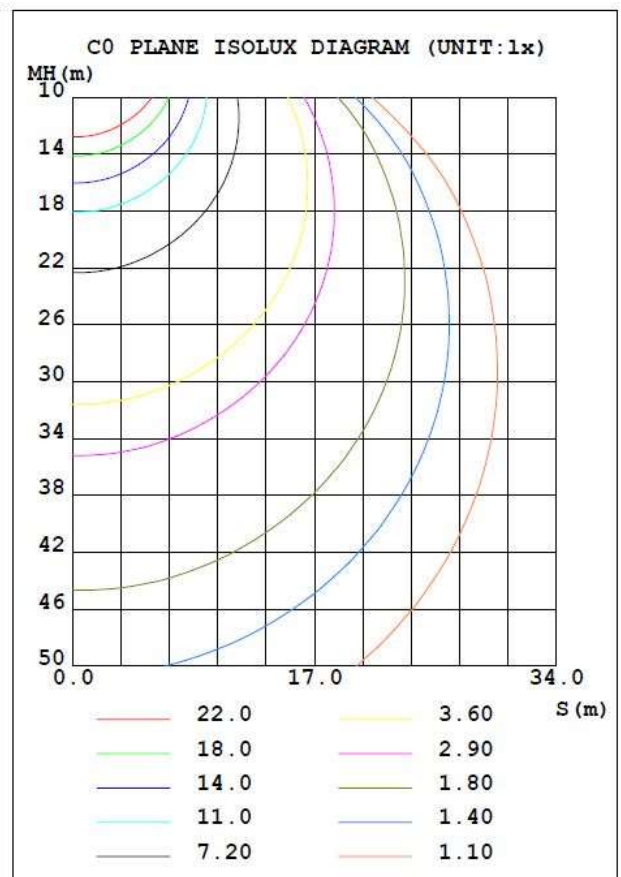
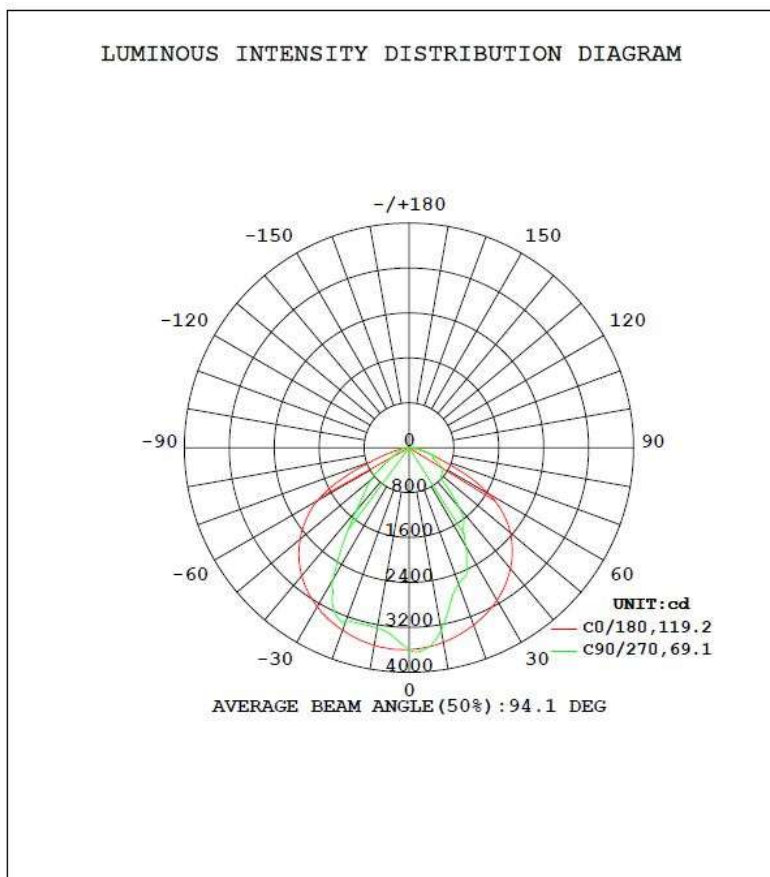


■ Technical Parameters

Type	FWP07W27-XXK-X-X		
Power	70W	Lighting Angle	60*90°
Input Voltage	AC100-277V	LED Brightness Decay	<5%/6000 hrs
PF	>0.95	Working Life	>50000 hrs
Driver Efficiency	>90%	Working Temperature	-30 - +45°C
Luminous Flux	7200 Lm	Storage Temperature	-40 -+80°C
Color Temperature	3000K/4000K/5000K/6500K	Protection Level	Wet Location/IP65
CRI	Ra>80	Cable	Input Connect, No cable

Remark: X=Option code

■ Light Distribution Curve (Clear Lens)



70W LED Full-Cutoff Wall Pack



■ ORDERING INFORMATION:

EXAMPLE: FWP 07W 27-50K-D-P12

FWP	45W	27	50K	D	P12
Product	Power	Voltage	Color Temp	Finish	Control
FWP Full Cutoff Wall Pack	45W(45W) 07W(70W)	27 AC100-277V 48 AC200-480V	30K (3000K) 40K (4000K) 50K (5000K) 65K (6500K) ± 500K	D Dark Bronze W White	P12 120V Photocell P27 277V Photocell

ACES LED reserved the right of changing this datasheet RV1.0