

■ Product Features



- High efficiency LED Driver, the wide range input voltage AC100-277V or AC200-480V;
- Lumileds LED high luminous efficiency and long life.
- Cast aluminum design, better cooling and easy replacement, light quality, LED Tj < 85°C.
- Excellent optical design, greatly improve the light utilization and evenness.
- **Photocell Control Available (Option)**

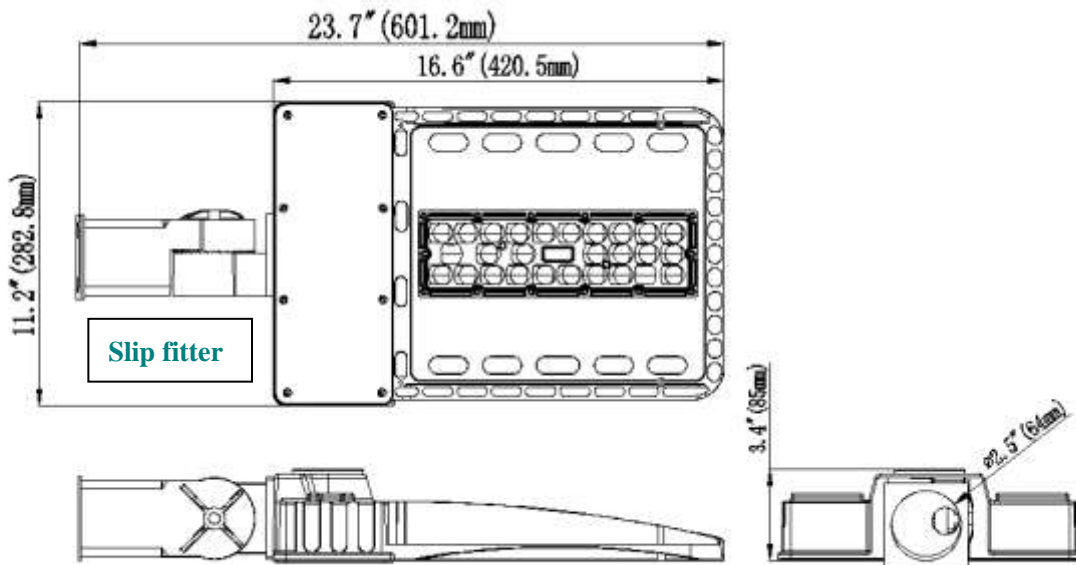


■ Product Applications

ACES LED Shoebox Lighting series can be widely used in Urban roads, Industrial areas, Residential areas, Sidewalks, Parking lot, Schools, Gardens and etc.

■ Structure Features

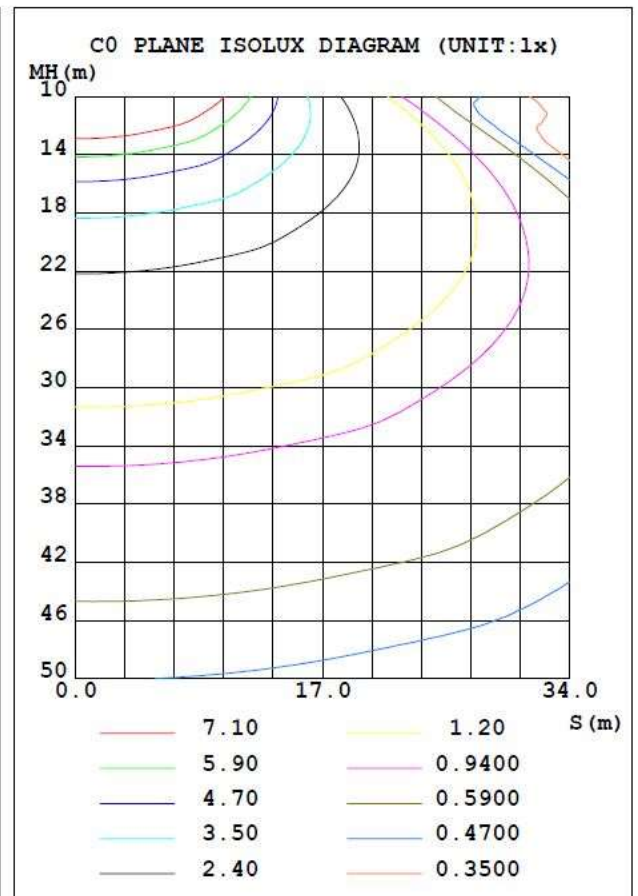
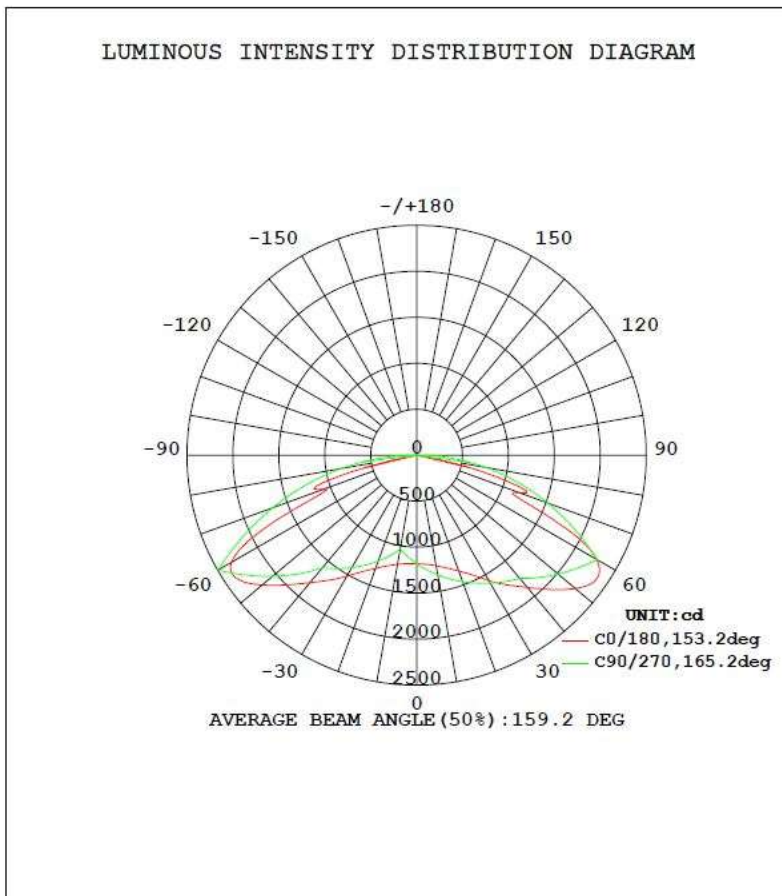
- **Shell materials:** Aluminum & PC.
- **Finish:** Dark Bronze/White
- **Net weight:** 4.50kgs (9.92 lbs) Unit: mm(inch)



■ Technical Parameters

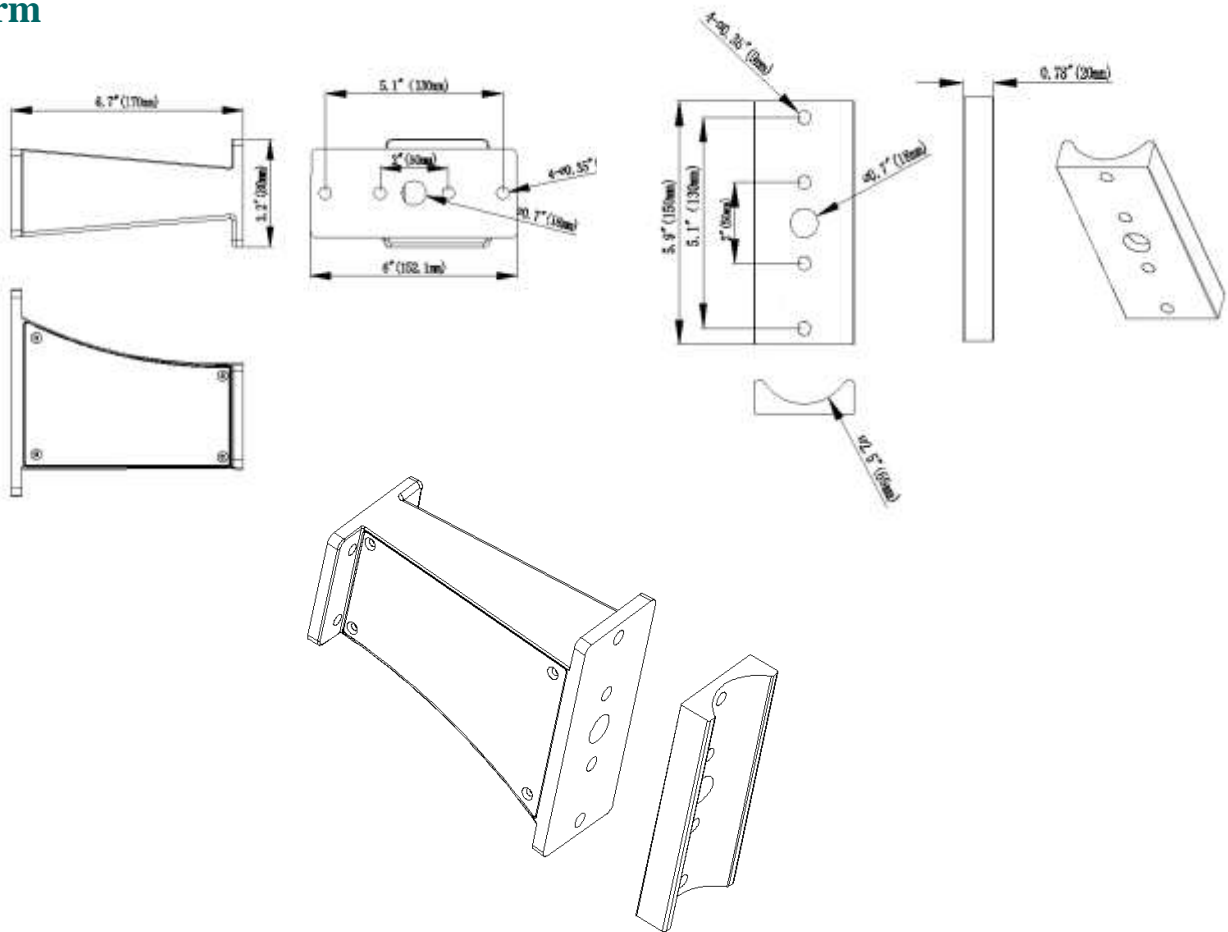
Type	SB06W27-XXK-X-TX-X-X		
Power	60W	Lighting Angle	Type II, Type III, Type Vs
Input Voltage	AC100-277V	LED Brightness Decay	<5%/6000 hrs
PF	>0.95	Working Life	>50000 hrs
Driver Efficiency	>90%	Working Temperature	-30 - +45°C
Luminous Flux	9200Lm	Storage Temperature	-40 -+80°C
Color Temperature	3000K/4000K/5000K/5700K	Protection Level	Wet Location/IP65
CRI	Ra>80	Cable	3 core, 18AWG

■ Photometry and TypeVs:

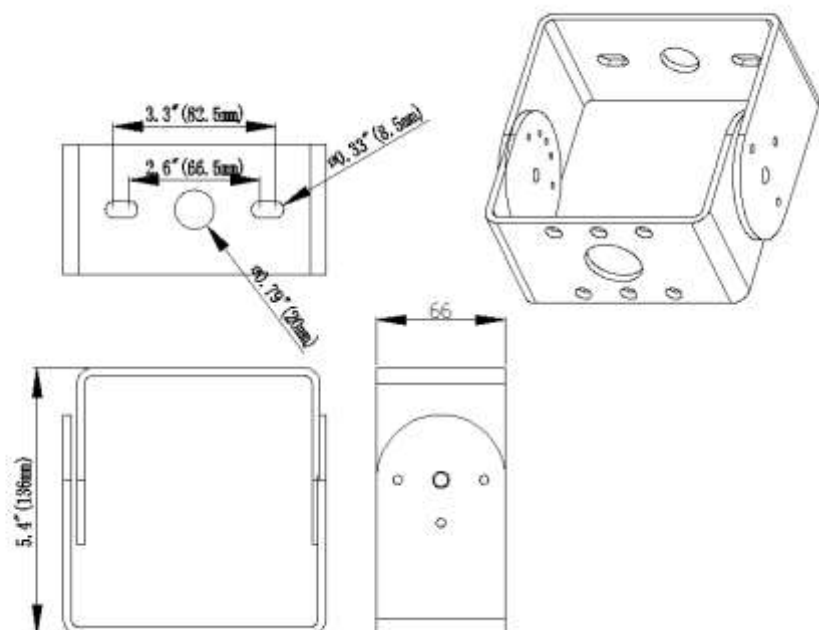


■ Accessory Option:

Arm



Trunnion



■ Ordering Information:

EXAMPLE: SB 06W 27-50K-D-T3-S-P

SB	06W	27	50K	D	T3	S	P
Product	Power	Voltage	Color Temp	Finish	IES	Mount	Control
SB SHOEBOX LIGHT	06W(60W)	27	30K (3000K)	D	T2	S	P
	10W(100W)	AC100-277V	40K (4000K)	Dark Bronze	Type II	Slip fitter	100-277V
	15W(150W)	48	50K (5000K)	W	T3	T	Photocell
	20W(200W)	AC200-480V	57K (5700K)	White	Type III	Trunnion	
	30W(300W)		± 500K		T5 Type V	A Arm	

ACES LED reserved the right of changing this datasheet RV1.0