

## Product Features



ACES LED Square High / Low Bay Lighting series, with its square design, is the perfect LED replacement for T5 and T8 fluorescent high bays. The SHB delivers efficient, uniform, high lumen output for high and low bay applications in industrial, retail and commercial interiors. This energy-efficient fixture features high-performance optics which delivers clear or whiter, brighter light while using significantly less energy when compared to traditional high bay lighting.

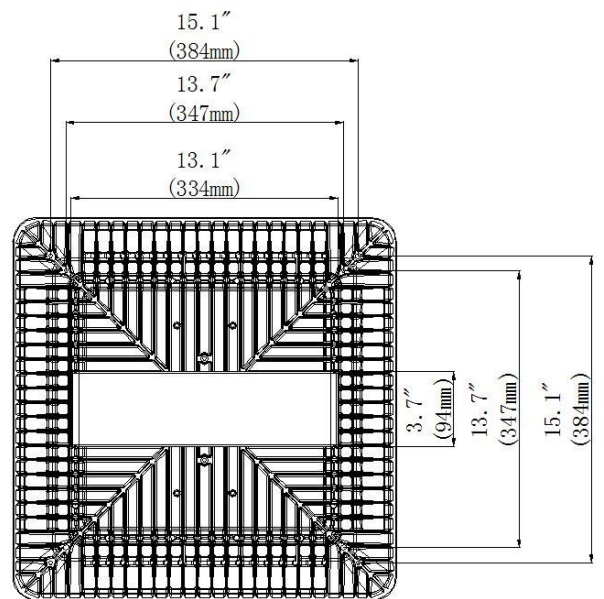
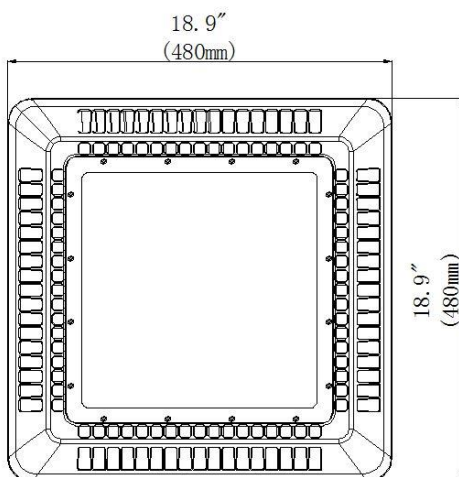
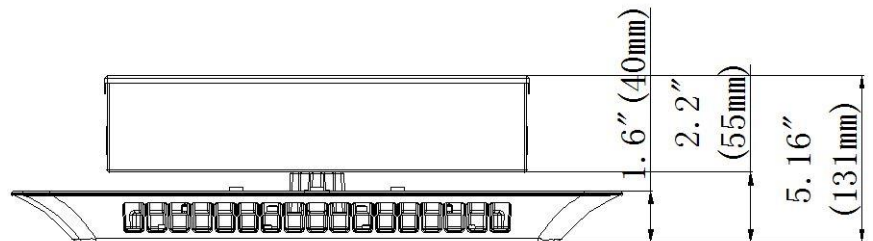


## Product Applications

- ACES LED Square High bay Light series can be widely used in outdoor or indoor lighting, like Gas Stations, Warehouse, Gymnasium, Workshop, Toll booth, Waiting rooms, platforms of railway station etc.

## Structure Features:

- Shell materials: Aluminum & Glass
- Color: White



\*Life span based on operation cycle of a minimum of 8 to a maximum of 16 hours per start up to no more than a total rated lifetime of 50,000

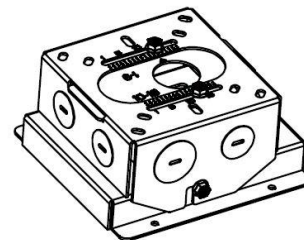
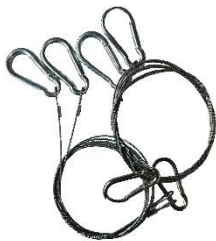
## ■ Technical Parameter:

Model No	SHB15W27-XXK		
Power	150W	Frequency Range	50/60Hz
Luminous Flux	17250LM	CRI	Ra>80
Luminous Efficiency	115LM/W	Beam Angle	115° / 80°
LED Chip Brand	Philips Lumileds	Working Temperature	-30 °+45 °
Power Factor	>98%	Storage Temperature	-40 °+80 °
LED Driver	SOSEN	Materials	Aluminum Heat sink and Glass
Input Voltage	AC100-277V/200-480V	Color Temperature	4000K/5000K/6000K ±500K
Net Weight	7.50Kg	Warranty	5 Years

## ■ Accessories (Option):

A: Standard Aircraft Cable

B: Junction Box (3/4" Pipe or Hook)



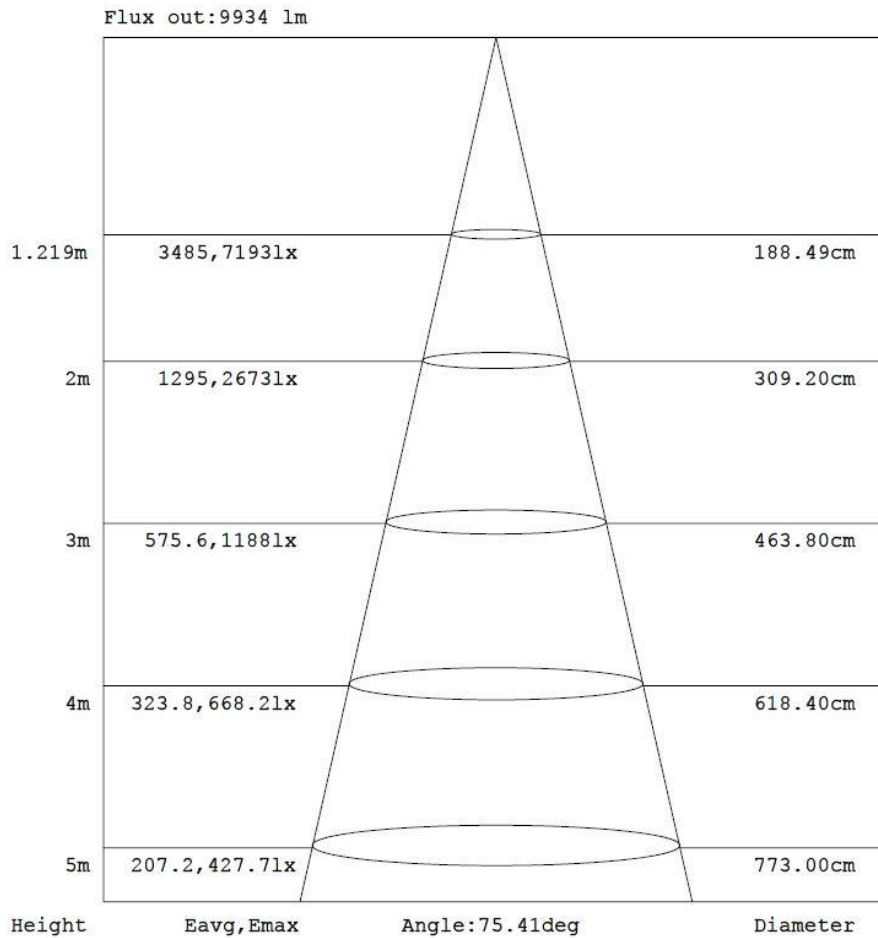
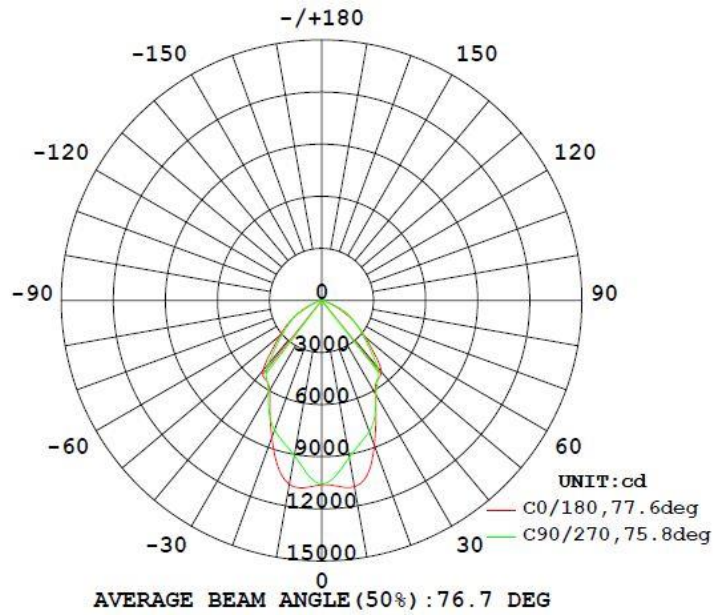
## ■ Product packaging

Package Size: L550mm×W550mm×H300mm

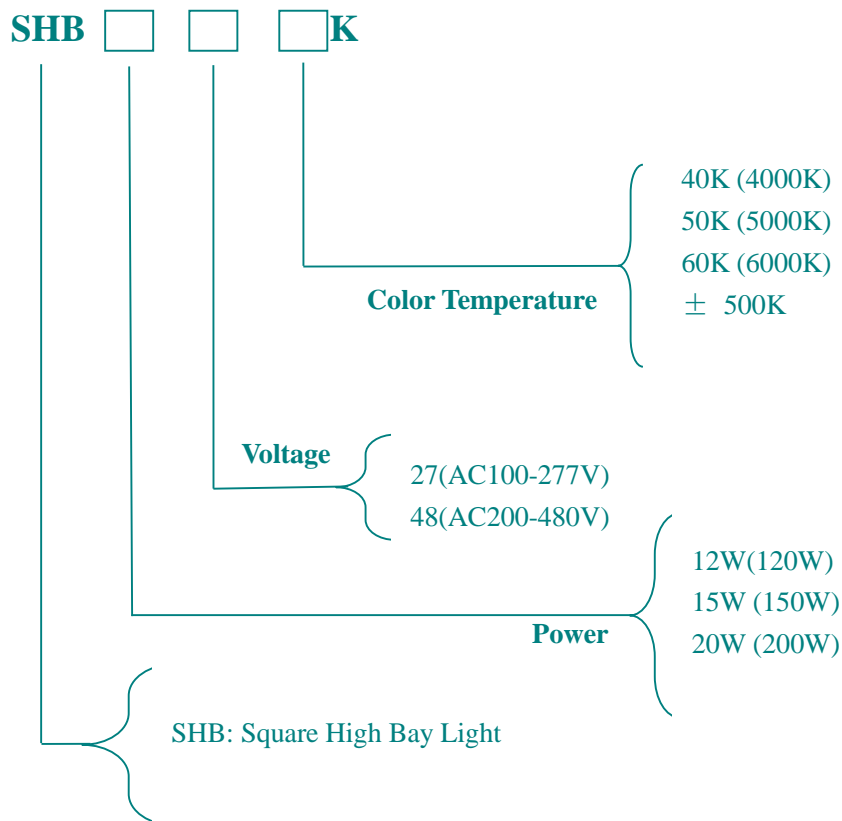
2 PCS

Gross weight: 19.00Kg

## ■ Photometry & Illuminance at a Distance:150W



## ■ Product Identification



## ■ Product Certifications



ACES LED reserved the right of changing this datasheet 2015 V1.1